



# **DAKSHIN HARYAN BIJLI VITRAN NIGAM**

## **TECHNICAL DIARY**

### **'OP' CIRCLE**

## **DHVN DHISAR**

**(AS ON 31-03-2007)**

## INDEX

<b>Sr. No.</b>	<b>Description</b>	<b>Page No.</b>
1	33 KV S/Stns. Ongoing Works	1
2	Approved 33 KV Works	1
3	Division Wise S/Stn. Detail	.2-5
4	District Wise S/Stn. Detail	.6-8
5	Detail of 11 KV Feeders	.9-13
6	Important Telephone of District Administration	.14-20
7	Power Map	21
8	Single Line Diagram of 220/132/33 KV S/Stns.	.22-52
9	Telephone No.of DHBVN Circle Administration	.53-57
10	Transmission Line Data	.58-59
11	Division Wise 11 KV Feeders Load Detail	.60-69
12	Division Wise 33 KV S/Stn. Load Detail	.70-71
13	Capacitor Bank Detail	72

<b>1</b>		
<b>List of Ongoing Projects of 33 KV S/Stn. Under OP Circle Hisar</b>		
<b>Sr. No</b>	<b>Name of S/Stn.</b>	<b>Capacity</b>
1	Nangthala	6.3/8 MVA, 33/11 KV
2	Jamalpur Shekho	10 MVA, 33/11 KV
3	Bass	10 MVA, 33/11 KV
4	Moda Khera	10 MVA, 33/11 KV
5	Hazrawan Kalan (Fat)	10 MVA, 33/11 KV

<b>2</b>		
<b>List of approved 33 KV S/Stn. Under OP Circle Hisar</b>		
<b>Sr. No</b>	<b>Name of S/Stn.</b>	<b>Capacity</b>
1	Chander Khurd	10 MVA, 33/11 KV
2	Birdhana	6.3/8 MVA, 33/11 KV

<b>3 Division Wise Sub-Stations</b>						
Sr. No	Name of Divn.	No. of S/Stn.in KV				Total
		400	220	132	33	
1	Hisar-I	-	1	1	5	7
2	Hisar-II	-	1	4	8	13
3	Hansi	1	-	2	6	9
4	Fatehabad	-	1	4	14	19
5	Tohana	-	-	3	10	13
	<b>G.Total</b>	1	3	14	43	61

<b>4 District Wise Sub-Stations</b>						
Sr. No	Name of Distt.	No. of S/Stn.in KV				Total
		400	220	132	33	
1	Hisar	1	2	7	19	29
4	Fatehabad	-	1	7	24	32
	<b>G.Total</b>	0	3	14	43	<b>61</b>

**LIST OF EXISTING 400KV,220 KV,132KV & 33KV  
S/STNs UNDER 'OP' CIRCLE, HISAR AS ON 31.3.07.**

S.No.	Name of S/Stn	Capacity of Power T/F installed	
		Nos	Voltage Ratio
<b><u>OP, DIVISION NO. I, HISAR</u></b>			
1	220KV BBMB,Hisar	3X100MVA	220/132 KV
		3X16/25MVA	132/33 KV
		4+2 MVA	33/11 KV
<b><u>132 KV S/Stn.</u></b>			
1	132KV Beer, Hisar	1X16/20MVA	132/33KV
		2X10/16MVA	132/11KV
		1x5MVA	33/11KV
<b><u>33 KV S/Stn.</u></b>			
1	33 KV Rajgarh Road,Hisar	1x6.3/8MVA	33/11KV
		2x6.3MVA	33/11KV
2	33KV Vidyut Nagar Hisar	6.3/8+4MVA	33/11KV
3	33KV Jindal Metal,Hisar.	1x6.3/8MVA	33/11KV
		5+4MVA	33/11KV
4	33KV HTM, Hisar.	1x6.3MVA	33/11KV
		2x4MVA	33/11KV
5	33KV Sec-13,Hisar.	1x6.3/8MVA	33/11KV
<b><u>OP, DIVISION NO. II, HISAR</u></b>			
<b><u>220 KV S/Stn.</u></b>			
1	220KV Indl. Area, Hisar.	100+50MVA	220/132 KV
		1X10/16MVA	132/11 KV
<b><u>132 KV S/Stn.</u></b>			
1	132 KV Adampur	1X16/20MVA	132/33KV
		1X10/16MVA	132/11KV
2	132KV Hisar Cantt.	1X10/16MVA	132/11KV
3	132KV Poly Steel, Hisar	1x12.5MVA	132/11KV
4	132KV Sec-27/28, Hisar	1X10/16MVA	132/33KV
<b><u>33 KV S/Stn.</u></b>			
1	33KV Barwala	2x6.3/8MVA	33/11KV
2	33KV Arya nagar	6.3/8+4MVA	33/11KV
3	33KV Siswal	5+4MVA	33/11KV
4	33KV Agroha	1x6.3MVA	33/11KV
5	33KV Sharwa	2x4MVA	33/11KV
6	33KV Bhiwani-Rohillan	1x6.3MVA	33/11KV
7	33KV Mangali	1x6.3/8MVA	33/11KV
8	33KV Sarsod	1x6.3/8MVA	33/11KV

<b>OP, DIVISION HANSI</b>			
<b>400 KV S/Stn.</b>			
1	<b>400KV PGCIL, Mayyar (HISAR)</b>		
<b>132 KV S/Stn.</b>			
1	132 KV Hansi	1X20/25MVA	132/33KV
		1X10/16MVA	132/33KV
		2X10/16MVA	132/11KV
2	132 KV Narnaund	2X10/16MVA	132/11KV
<b>33 KV S/Stn.</b>			
1	33KV Mundhal	6.3/8+4MVA	33/11KV
2	33KV Koth Kalan	1x5MVA	33/11KV
3	33KV Bhatla	6.3/8+4MVA	33/11KV
4	33KV Sisai	1x6.3/8MVA	33/11KV
5	33KV Barwala- Road Hansi	1x6.3/8MVA	33/11KV
6	33KV Umra	1x6.3/8MVA	33/11KV
<b>OP, DIVISION FATEHABAD</b>			
<b>220 KV S/Stn.</b>			
1	220KV Fatehabad	3X100MVA	220/132 KV
		1X10/16MVA	132/11 KV
<b>132 KV S/Stn.</b>			
1	132KV Fatehabad	2X20/25MVA	132/33KV
		1X10/16MVA	132/33KV
		1X10/16MVA	132/11KV
		1x6.3/8MVA	33/11KV
2	132KV Ratia	1X16/20MVA	132/33KV
		1X10/16MVA	132/33KV
		1X10/16MVA	132/11KV
		1x6.3/8MVA	33/11KV
3	132KV Ahrawan	2X20/25MVA	132/33KV
		1X10/16MVA	132/11KV
4	132KV Teliwara	1X10/16MVA	132/33KV
		1X10/16MVA	132/11KV
<b>33 KV S/Stn.</b>			
1	33KV Ayalki	6.3/8+6.3MVA	33/11KV
2	33KV Fatehabad	1x6.3/8MVA	33/11KV
		2x6.3MVA	33/11KV
3	33KV Baliyala	6.3/8+5MVA	33/11KV
4	33KV Bhuthan	1x10/12.5MVA	33/11KV
		1x6.3/8MVA	33/11KV
5	33KV Behbalpur	6.3/8+6.3MVA	33/11KV
6	33KV Haroli	6.3/8+4MVA	33/11KV
7	33KV Teliwara	1x6.3/8MVA	33/11KV
		6.3+5MVA	33/11KV
8	33KV Bhattu	6.3/8+4MVA	33/11KV
9	33KV Badopal	2x4MVA	33/11KV
10	33KV Mehmara	6.3+4MVA	33/11KV
11	33KV Ajit Nagar/Ganda	2x5MVA	33/11KV
12	33KV Daryapur	6.3/8+5MVA	33/11KV
13	33KV Dhani Raipur	6.3/8+4MVA	33/11KV
14	33KV Mohmadkee	1x5MVA	33/11KV

<b>OP, DIVISION TOHANA</b>			
<b><u>132 KV S/Stn.</u></b>			
1	132KV Tohana	2X16/20MVA	132/33KV
		2X10/16MVA	132/11KV
2	132KV Dharsul	1X20/25MVA	132/33KV
		1X10/16MVA	132/33KV
		1X10/16MVA	132/11KV
3	132KV Uklana	1X10/16MVA	132/33KV
		1X10/16MVA	132/11KV
<b><u>33 KV S/Stn.</u></b>			
1	33KV Jakhal	1x6.3/8MVA	33/11KV
		5+4MVA	33/11KV
2	33KV Rainwali	6.3/8+6.3MVA	33/11KV
3	33KV Gulharwala	2x6.3MVA	33/11KV
4	33KV Bhuna	6.3+5MVA	33/11KV
5	33KV Lehrian	2x5MVA	33/11KV
6	33KV Degoh	2x6.3/8MVA	33/11KV
7	33KV Sadanwas	2x5MVA	33/11KV
8	33KV Nehla	1x4MVA	33/11KV
9	33KV Pirthla	6.3+4MVA	33/11KV
10	33KV Karandi	1x6.3/8MVA	33/11KV

4

**LIST OF 33KV & ABOVE S/STNs UNDER HISAR DISTT.**

S.No.	Name of S/Stn	Capacity of Power T/F installed	
		Nos	Voltage Ratio
	<b>400 KV S/Stn.</b>		
1	400KV PGCIL, Mayyar (HISAR) 2x315 MVA		400/220 KV
	<b>220 KV S/Stn.</b>		
1	220KV Indl. Area, Hisar.	100+50MVA 1X10/16MVA	220/132 KV 132/11 KV
3	220KV BBMB,Hisar	3X100MVA 3X16/25MVA 4+2 MVA	220/132 KV 132/33 KV 33/11 KV
	<b>132 KV S/Stn.</b>		
1	132KV Beer, Hisar	1X16/20MVA 2X10/16MVA 1x5MVA	132/33KV 132/11KV 33/11KV
2	132 KV Adampur	1X16/20MVA 1X10/16MVA	132/33KV 132/11KV
3	132KV Hisar Cantt.	1X10/16MVA	132/11KV
4	132KV Poly Steel, Hisar	1x12.5MVA	132/11KV
5	132KV Sec-27/28, Hisar	1X10/16MVA	132/33KV
6	132 KV Hansi	1X20/25MVA 1X10/16MVA 2X10/16MVA	132/33KV 132/33KV 132/11KV
7	132 KV Narnaund	2X10/16MVA	132/11KV
	<b>33 KV S/Stn.</b>		
1	33 KV Rajgarh Road,Hisar	1x6.3/8MVA 2x6.3MVA	33/11KV 33/11KV
2	33KV Vidyut Nagar Hisar	6.3/8+4MVA	33/11KV
3	33KV Jindal Metal,Hisar.	1x6.3/8MVA 5+4MVA	33/11KV 33/11KV
4	33KV HTM, Hisar.	1x6.3MVA 2x4MVA	33/11KV 33/11KV
5	33KV Sec-13,Hisar.	1x6.3/8MVA	33/11KV
6	33KV Barwala	2x6.3/8MVA	33/11KV
7	33KV Arya nagar	1x6.3/8MVA 1x4MVA	33/11KV 33/11KV
8	33KV Siswal	1x5MVA 1x4MVA	33/11KV 33/11KV
9	33KV Agroha	1x6.3MVA	33/11KV
10	33KV Sharwa	2x4MVA	33/11KV
11	33KV Bhiwani-Rohillan	1x6.3MVA	33/11KV
12	33KV Mangali	1x6.3/8MVA	33/11KV
13	33KV Sarsod	1x6.3/8MVA	33/11KV
14	33KV Mundhal	1x6.3/8MVA 1x4MVA	33/11KV 33/11KV
15	33KV Koth Kalan	1x5MVA	33/11KV
16	33KV Bhatla	1x6.3/8MVA 1x4MVA	33/11KV 33/11KV
17	33KV Sisai	1x6.3/8MVA	33/11KV
18	33KV Barwala- Road Hansi	1x6.3/8MVA	33/11KV
19	33KV Umra	1x6.3/8MVA	33/11KV



**LIST OF 33KV & ABOVE S/STNs UNDER FATEHABAD DISTT.**

S.No.	Name of S/Stn	Capacity of Power T/F installed	
		Nos	Voltage Ratio
<b><u>220 KV S/Stn.</u></b>			
1	220KV Fatehabad	3X100MVA	220/132 KV
		1X10/16MVA	132/11 KV
<b><u>132 KV S/Stn.</u></b>			
1	132KV Fatehabad	2X20/25MVA	132/33KV
		2X10/16MVA	132/11KV
2	132KV Ratia	1X16/20MVA	132/33KV
		1X10/16MVA	132/33KV
		1X10/16MVA	132/11KV
		1x6.3/8MVA	33/11KV
3	132KV Ahrawan	2X20/25MVA	132/33KV
		1X10/16MVA	132/11KV
4	132KV Teliwara	1X10/16MVA	132/33KV
		1X10/16MVA	132/11KV
5	132KV Tohana	2X16/20MVA	132/33KV
		2X10/16MVA	132/11KV
6	132KV Dharsul	1X20/25MVA	132/33KV
		1X10/16MVA	132/33KV
		1X10/16MVA	132/11KV
7	132KV Uklana	1X10/16MVA	132/33KV
		1X10/16MVA	132/11KV
<b><u>33 KV S/Stn.</u></b>			
1	33KV Ayalki	1x6.3/8MVA	33/11KV
		1x6.3MVA	33/11KV
2	33KV Fatehabad	1x6.3/8MVA	33/11KV
		2x6.3MVA	33/11KV
3	33KV Baliyala	1x6.3/8MVA	33/11KV
		1x5MVA	33/11KV
4	33KV Bhuthan	1x10/12.5MVA	33/11KV
		1x6.3/8MVA	33/11KV
5	33KV Behbalpur	1x6.3/8MVA	33/11KV
		1x6.3MVA	33/11KV
6	33KV Haroli	1x6.3/8MVA	33/11KV
		1x4MVA	33/11KV
7	33KV Teliwara	1x6.3/8MVA	33/11KV
		1x6.3MVA	33/11KV
		1x5MVA	33/11KV
8	33KV Bhattu	1x6.3/8MVA	33/11KV
		1x4MVA	33/11KV
9	33KV Badopal	1x4MVA	33/11KV
		1x4MVA	33/11KV
10	33KV Mehmara	1x6.3MVA	33/11KV
		1x4MVA	33/11KV
11	33KV Ajit Nagar/Ganda	2x5MVA	33/11KV
12	33KV Daryapur	1x6.3/8MVA	33/11KV
		1x5MVA	33/11KV
13	33KV Dhani Raipur	1x6.3/8MVA	33/11KV
		1x4MVA	33/11KV
14	33KV Mohmadkee	1x5MVA	33/11KV

15	33KV Jakhal	1x6.3/8MVA	33/11KV
		1x5MVA	33/11KV
		1x4MVA	33/11KV
16	33KV Rainwali	1x6.3/8MVA	33/11KV
		1x6.3MVA	33/11KV
17	33KV Gulharwala	2x6.3MVA	33/11KV
18	33KV Bhuna	1x6.3MVA	33/11KV
		1x5MVA	33/11KV
19	33KV Lehrian	2x5MVA	33/11KV
20	33KV Degoh	2x6.3/8MVA	33/11KV
21	33KV Sadanwas	2x5MVA	33/11KV
22	33KV Nehla	1x4MVA	33/11KV
23	33KV Pirthla	1x6.3MVA	33/11KV
		1x4MVA	33/11KV
24	33KV Karandi	1x6.3/8MVA	33/11KV

<b>5 DETAILS OF 11 KV FEEDERS OF HISAR CIRCLE</b>								
<b>Hisar District</b>								
Sr. No.	Name of Divn.	Rural	Urban	Independent	Industrial	Essential	Mixed	Total
1	No. 1 Hisar	-	30	9	2	8	-	49
2	No. 2 Hisar	34	8	4	2	3	1	52
3	Hansi	31	8	1	-	2	-	42
4	Tohana	6	1	-	-	-	-	7
	<b>Total</b>	<b>71</b>	<b>47</b>	<b>14</b>	<b>4</b>	<b>13</b>	<b>1</b>	<b>150</b>

<b>Fatehabad District</b>								
1	Tohana	61	4	2	1	2	-	70
2	Fatehabad	100	10	-	1	1	-	112
	<b>Total</b>	<b>161</b>	<b>14</b>	<b>2</b>	<b>2</b>	<b>3</b>		<b>182</b>

	<b>Total Circle as a whole</b>	<b>232</b>	<b>61</b>	<b>16</b>	<b>6</b>	<b>16</b>	<b>1</b>	<b>332</b>
--	--------------------------------	------------	-----------	-----------	----------	-----------	----------	------------

### 5) Detail of 11KV Feeders (Rural, Urban, Independent. Essential)

#### DISTRICT-HISAR

##### (OP) Divn. No.I Hisar

Sr. No.	Name of 11kv feeder	Feeder's Nature
<b>City S/Divn. Hisar</b>		
1	B S F Feeder	Urban
2	Talwandi/Juglan	Urban
3	City/ Auto-Market	Urban
4	Tele. Exchange	Urban
5	Nagori-Gate	Urban
6	Housing Board	Urban
7	Madhuban	Urban
8	Mandi-Road	Urban
9	Aerodrum	Urban
10	HTM/DCM	Independ.
11	Multani Chowk	Urban
12	GJU	Essential
13	Sector-3	Urban
<b>CIVIL LINE SUB-DIVN.</b>		
1	Subji Mandi	Urban
2	Central Jail	Urban
3	Jahaj Pull	Urban
4	Shiv Nagar	Urban
5	HAU Old Campus	Essential
6	I T I Feeder (Beer)	Urban
7	Vinod Nagar	Urban
8	H.A.U.Essencial	Essential
9	Stud Farm	Independ.
10	A.I.R.	Essential
<b>MODEL TOWN SUB-DIVN,HISAR.</b>		
1	Indl.Estate-I	Indl.
2	Indl.Estate-II	Indl.
3	Hisar Metal	Independ.
4	HUDA W/Works (J/Metal)	Essential
5	Vinod oil mill	Independ.
6	Haryana oil mill	Independ.
7	J.S.L.	Independ.
8	Haryana Tube	Independ.
9	Amar Alloys	Independ.
10	Model Town	Urban
11	Sec-16/17,Hisar	Urban
12	I.T.I./New ModalTown	Urban
13	Udyog Nagar	Indl.
14	Defence Colony	Urban
15	Patel Nagar	Urban
16	Gandhi Nagar	Urban
17	Dabra Road Hisar	Urban
18	Sec-13,Hisar	Urban
19	M.Colony W/Works	Essential
20	K.R.Water Works	Urban
21	Azad Nagar	Urban
22	Vidyut Sadan	Essential
23	Quality Foil	Independ.
24	Vidyut Nagar	Urban
25	Huda W/Works(Sec-13)	Essential
26	Jindal Hospital	Independ.
<b>total</b>		<b>49.00</b>

<b>(OP) Divn. Hansi</b>		
<b>(OP) S/Divn. Hansi</b>		
1	Hansi Town/City feeder	Urban
2	Dadal park	Urban
3	Delhi Gate	Urban
4	Highway	Urban
5	Jind Road Hansi	Urban
6	Collage-Road Hansi	Urban
7	Arya Nagar	Urban
8	Water Works	Essential
<b>S/Urban S/Divn Hansi</b>		
1	Data	Rural
2	Chonot	Rural
3	Kulana	Rural
4	Jagga-Bara	Rural
5	Bhatla	Rural
6	Barsi	Rural
7	Hisar-road	Rural
8	Garhi	Rural
9	Laxmi Pipe	Independ.
10	Power Grid	Essential
11	Umra/PremNagar	Rural
<b>Narnound S/Divn.</b>		
1	Narnound	Urban
2	Budana	Rural
3	Moth	Rural
4	Madha	Rural
5	Khanda	Rural
6	Petwar	Rural
7	Majra	Rural
8	Rajthal	Rural
9	Mirchpur	Rural
10	Koth Kalan	Rural
11	Kagsar	Rural
<b>Mundhal Sub Division</b>		
1	Bass	Rural
2	Mundhal	Rural
3	Singhwa	Rural
4	Sorkhi	Rural
5	Bhatol	Rural
<b>Sisai Sub Office.</b>		
1	Sisai	Rural
2	Gagan-Kheri	Rural
3	Pali	Rural
<b>Umra S/Office.</b>		
1	Hazampur	Rural
2	Umra	Rural
3	Jamalpur	Rural
4	Dhandary	Rural
<b>Total</b>		<b>42.00</b>

**DIVN. NO.II.HISAR.**  
**Adampur S/Divn.**

1	Mandi	Urban
2	Model Town	Urban
3	Kohli	Rural
4	Sadalpur	Rural
5	ModaKhera	Rural
6	Siswal	Rural
7	Kabrail	Rural
8	Salemgarh	Rural
9	Adampur	Rural
10	Ludas	Rural
11	Mohbatpur	Rural
12	Migni Khera	Rural

**OP' DIVISION TOHANA.**  
**Uklana S/Divn.**

1	Saniana	Rural
2	Doulat Pur	Rural
3	City Uklana	Urban
4	Surewala	Rural
5	Madanpura	Rural
6	Sahu	Rural
7	Pirthla	Rural

**Agroha S/Office**

1	Agroha	Rural
2	Nangthala	Rural
3	Mahalsara	Rural
4	Medical	Essential

**Balsmand S/Office**

1	Dobhi	Rural
2	Balsmand	Rural
3	Gorchhi	Rural
4	Dhiranwas	Rural
5	W/W Rawalwas	Independ.

**Barwala Sub Division**

1	Mandi	Urban
2	Barwala	Urban
3	M.C.	Urban
4	Pabra	Rural
5	Gurana	Rural
6	Panihari	Rural
7	Rajli	Rural
8	Sarsod	Rural
9	Hansangarh	Rural
10	Banbhor	Rural
11	Ghirai	Rural

**SATROD S/DIVN.**

1	Satrod Khurd(HPL)	Rural
2	Jindal Electro	Independ.
3	New Tiba Line	Urban
4	Industrial-II	Mixed
5	Satrod KI.(HSR-CANTT)	Rural
6	H.P. Cotton	Independ.
7	MES-I	Essential
8	MES-II	Essential
9	Sector-27/28	Indust.
10	Tiba Line	Urban
11	Ladwa	Rural
12	Tulsi Vihar	Urban
13	Choudhariwas	Rural
14	Talwandi	Rural
15	Sharwa	Rural
16	Bhanu	Indust.
17	Mangali	Rural
18	Kaimari	Rural
19	Singhran	Rural
20	Jadia Pipe	Independ.

total

52.00

### 5) Detail of 11KV Feeders (Rural, Urban, Independent. Essential)

#### DISTRICT-FATEHABAD

Sr. No.	Name of 11kv feeder	Feeder's Nature	<u>Jakhal Sub Division</u>	
<b>(OP) S/DIVN. TOHANA</b>			1	Jakhal Rural
1	City-I Tohana	Urban	2	Sadanwas/Talwara Rural
2	City-II Tohana	Urban	3	Sidhani Rural
3	City-III Tohana	Urban	4	Churpur Rural
4	City-IV Tohana	Urban	5	Meond(Jakhal) Rural
5	Narwana-Road	Rural	6	Nathuwal Rural
6	Samian	Rural	7	Narail Rural
7	Kanhari	Rural	8	Railway Essential
8	Nangla	Rural	9	Sadanwas (Sadanwas) Rural
9	Loha Khera	Rural	10	Sidhani (Sadanwas) Rural
10	Puran Majra	Rural	11	Mundlian Rural
11	Baliala	Rural	12	Chandpura Rural
12	Nuchem	Independ.	13	Tibba Rural
<b>S/U. S/D. Tohana</b>			<b>Bhuna Sub Division</b>	
1	Nanheri(Tohana)	Rural	1	Bhuna Rural
2	Jamalpur	Rural	2	Khari Rural
3	Kullan	Rural	3	Jandli Rural
4	Ratta (D)	Rural	4	Sugar Mill Essential
5	Karandi (D)	Rural	5	Bawan Rural
6	Salimpuri/Dharsul	Rural	6	Nadhori Rural
7	Dewana	Rural	7	Degoh Rural
8	Pokhari	Rural	8	Dholu Rural
9	Nenheri(Dharsul)	Rural	9	Ghotru Rural
10	Manghera	Rural	10	Lahrian Rural
11	Jabta Khera	Rural	11	Bhundra Rural
12	Industrial	Industrial	12	Tibbi Rural
13	Budhanpur	Rural	13	Nehla Rural
14	Rainwali	Rural	14	Gorakhpur Rural
15	Kashimpur	Rural	15	Hasanga Rural
16	MITC	Rural	16	Khera Rural
17	Ratta (Karandi)	Rural	17	Hasanga-II Rural
18	Karandi(K)	Rural		
19	Moosa Khera	Rural		
20	Babanpur-Dhani	Rural		
21	Gullarwala	Rural		
22	Salampuri (Gularwala)	Rural		
23	Akanwali	Rural		
24	Nanaksar	Rural		
25	Shakar Pura	Rural		
26	Rasulpur	Rural		
27	Fatehpuri	Rural		
28	Indachhoi	Rural		
			Total	77

**(OP) Divn. Fatehabad**

<b>City S/Divn F/Bad</b>		
1	Indl.	Indl.
2	Fatehabad	Urban
3	City Fatehabad	Urban
4	Boswal	Rural
5	Model-Town	Urban
6	Khan Mohmad	Rural
7	Bhattu-road	Urban
8	Roop Nagar	Urban
9	Hisar- Road	Urban
10	Dhani Chhatrian	Rural
11	Kata-Kheri	Rural
12	Dhani Bikaneri	Rural
13	HUDA	Essential
14	Mini-Sectt.	Urban

**S/Urban S/Divn F/bad**

1	Daryapur	Rural
2	Bighar	Rural
3	Alisadar-II	Rural
4	Alisadar-III	Rural
5	Matana	Rural
6	Majra-I	Rural
7	Majra-II	Rural
8	Manawali	Rural
9	Khari Khera	Rural
10	Hazrawan-I	Rural
11	Hazrawan-II	Rural
12	Daulatpur	Rural
13	Karnoli-I	Rural
14	Karnoli-II	Rural
15	Bhuthan	Rural
16	Bhirdana-I	Rural
17	Bhirdana-II	Rural
18	Sottar	Rural
19	Ratta Tibba	Rural
20	Bhattu-Sottar	Rural
21	Bharolawali	Rural
22	Behbalpur	Rural
23	Nakhatia	Rural
24	Gillan Khera	Rural
25	Dhani Nanksar	Rural
26	Haripura	Rural
27	Banwali	Rural
28	Thery	Rural
29	Jhalnia	Rural
30	Alisadar-I(Dhani Ishar)	Rural
31	Barseen	Rural

**City S/Divn. Ratia**

1	Aharwan-I	Rural
2	City-I Ratia	Urban
3	City-II Ratia	Urban
4	Kamana	Rural
5	Hamjapur	Rural
6	M.P. Sottar(Ratia)	Rural
7	Gurusar	Rural
8	Bharpur	Rural
9	Nathwan-II	Rural
10	Kawal Garh-Dhani	Rural
11	Chando Khurd	Rural
12	Chimon	Rural
13	Nanheri	Rural
14	Nathwan-I	Rural
15	Ghaswa	Rural
16	Babanpur	Rural
17	Lamba	Rural
18	Police Choki	Rural
19	Badalgarh	Rural
20	Mehamra	Rural
21	Bara	Rural
22	Kawal Garh	Rural
23	Ahrwan-II	Rural
24	Dhani Ruriwali	Rural
25	Raipur-I	Rural
26	Palsar	Rural
27	M.P. Sottar(Degoh)	Rural
28	Kunal	Rural
29	Chando-II	Rural
30	Raipur-II	Rural
31	Dhani Raipur	Rural
32	Sukhlampur	Rural

**S/U S/Divn. Ratia**

1	Mudh	Rural
2	RattanGarh	Rural
3	Bhunderwas	Rural
4	Lali	Rural
5	Hanspur	Rural
6	Ratta Khera	Rural
7	Phoolan-I	Rural
8	Jallopur	Rural
9	Ayalki	Rural
10	Jandwala	Rural
11	Shekhupur sottar	Rural
12	Ahrwan	Rural
13	ChanChak	Rural
14	Noorki	Rural
15	Chan-Kothi	Rural
16	Pilchian	Rural
17	Ladhuwas	Rural
18	Nangal	Rural
19	Bora	Rural
20	Birabadi	Rural
21	Malwala	Rural
22	Saharna	Rural
23	Alika	Rural
24	Phoolan-II	Rural
25	S.P. Sotter-II	Rural
26	Behl Bhomia	Rural
27	Mahmadkee	Rural

**Bhattu S/Divn.**

1	Bhattu Mandi	Urban
2	Dhingsara	Rural
3	Ramsara	Rural
4	Kirdhan	Rural

**Badopal S/Office**

1	Bhoda	Rural
2	Dhangar	Rural
3	Salam Khera	Rural
4	Kumarian	Rural

Total

112

<b>6 IMPORTANT TELEPHONE/ MOBILE NUMBER LIST OF DISTRICT ADMINISTRATION</b>				
Name	Designation	Office	Res.	Mobile
Smt. Ashima Garg, IAS	SDM Hisar	01662- 232798	01662-232289	9416010600
Sh. Ashok Kumar Garg, HCS	SDM Hansi	01663-254074	252005	9416473636
Sh. Ashok Kumar Bansal, HCS	CTM, Hisar	01662- 233243	229151	9416775384
Sh. Jai Kirshan Abhir, HCS	EO, Huda	01662- 245108	232016/ 227207	9896088500
Sh. Ram Nath, HCS	Leo/ Huda	01662- 247689		9813220929
Sh. S. S. Kundu HCS	ZAMEO	01662- 275045		9466112322
Sh. Surjeet Singh Nain, HCS	GM Roadways	01662- 231028	232828/ 230405	9416092013
Sh. Amardeep Singh, HCS	LAO, PWD/B & R	01662- 237116		9811710744
Sh. Mohander Singh	Tehsildar Hisar	01662- 232590	231272	9416015777
Sh. Atma Ram Bhadu	Tehsildar Hansi	01663- 254210		9416274411
Sh. Radhe Sham Bishoni	Tehsildar Narnaund	01663-233234		9416644002
Sh. Ramphal Singh	Tehsildar Adampur	01669-243436		9666049472
Sh. Dilbag Singh	Head Master Patwar Trg. School			9896123800
Sh. Randdhir Singh Boora	Head Master Patwar Trg. School			9416123758
Sh. Ramphal Kataria	Consolidation Officer Hisar			9416123958
Sh. Krishan Kumar Alawadi	Tehsildar O/o LAO B & R			9896320123
Sh. Radhe Sham Bundela	Dy. Controller Civil Defence	01662- 236930		9896303692
Sh. Radhe Sham Mitaal	NT, Hisar	01662- 232590	01662-249316	9813080320
Sh. Bhup Singh	NT, Account, Hisar	01662- 232590		9416309997
Sh. Darshan Kumar	NT Ligh-Migh	01662- 225151		9416042825
Sh. Rajender Parshad	NT Hansi	01663-254210		9813329629
Sh. Sanjay Bishoni	NT Account Hansi	01663- 254210		
Sh. Raj Singh	NT Surplus/ NT Bass	01663- 240290		9812150195
Sh. Ashok Kumar Narang	NT Narnaund	01663- 233234		9255902786
Sh. Sukhbir Singh Boora	NT Barwala	01693- 242723		9416293272
Sh. Dharpal	NT Adampur	01669-243436		9416640254
Sh. Hari Chand Bhatla	NT Uklana			9416788999
Santosh Kumari	D.E.O.			94164-89367
Ashok Jain	D.P.E.O.	238734	-	94162-44443
Thakur Kashmir	D.S.O.	232842	235262	98960-60329
Surajmal	Distt. Attorney	231017	242939	94164-92197
M.P. Kulshretha	DIO	241031 241033	224546	9416090666
-	Director Ship Brid. Farm	275887	260250	
Dr. R.N. Duhan	Director H.L.R.D.C.	276852	276645	
-	Director H.S.I.D.C.	235793	234410	
-	R.M. HSDC	275065		
-	Dairy Dev. (Milk Plant)	239714		
-	Door Darshan	233240	249935	
-	Radio Kender	254274		
-	Distt. Aurvedic Officer	238609	246492	



Naresh Kumar	Distt. Statiscal Officer	226633		98960-12348
-	Distt. Employment Officer	237031		
Amar s. Baswana	Distt. Horticulture Officer	233250	270774	94161-22774
-	Distt. Home Gaurd	233279		
J.R. Yadav	G.M. DIC	225686	224021	98139-51396
-	G.M Coop Store	233804		
-	Labour Officer	231110		98966-99188 94161-06555
Krishan Kumar	D.M.E.O.	275045		94165-93724
Prithvi Singh	Z.M.E.O.	275045		94163-09989
Pritpal Kundu	Zonal Admini. Mkt. Board	-		94661-12322
-	Zila Parishad	231235		
M.M. Joshi	Conseravator Of Forest	259489	259834	
Jeet Ram	Conseravator Of Forest Community	259723	259408	
M.L. Ravanshi	D.F.O. (T)	259232	259455	94167-42639
	D.F.O. (Production)	259327	259094	98968-10237
SatbirS., Sheoran	D.E.O.(Community)	259713	258393	
Tara C. Sihag	D.E.O.(Community) ITC	259483		
	D.M. Hafed	225217	228278	94162-90682 94163-97960
	D.M. Confed	237082		98120-08052
	D.M. Fci	236003	270441	
	D.M. HFC	251445 251446	232465	
Jai Singh Verma	D.M. Khadi Board	225304	254538	94165-47211
Roshan L. Jangra	D.M. Harizan Kalyan Nigam	254250	243018	
Roshan L. Jangra	D.M. BC Kalyan Nigam	254250	243018	
	D.M. Haryana Women Dev.	239732		
	D.M. Agro Industt.	275891		
	D.M. Haryana Ware Crop.	225283		98961-42725
	D.M. Centrel HWC	276832		
S.K. Sharma	D.M. Flamingo	225702	225625	98963-71358
S.K. Sharma	D.M. Blue Birds	275568	275131	
	D D M Nabard	232286		
	C.E.O. F.F. D.A.	276522 276880		
Raj K. Narwal	P O Planning DRDA	241035		94161-23001
Dr. Poonam	P.O. ICDS Cell			94165-88635
	Treasuri Officer	225765		
	Principal I T I Boys	245306		94162-91150
B.D. Verma	Principal I T I Adampur			94160-48704
	Principal I T I Girls	225848		
	C.M.O	278157 278160	283344 277844	

**List of Officers of the Hisar District**

Name	Designation	Office	Res.	Mobile
M.K. Midha	Commissioner Hisar Divn.	233267	254140, 254240	94160-18133
Deepti Umashankar	Dy. Coimmissioner	232045	232324, 232304	94661-11044
Pankaj Aggarwal	Addl.Dy.Commissioner	232692	232642	94160-00492
Vijayendra Kumar	M.D., DHBVN	220698 221724	221021	98120-50920 9812059768
Phateh S. Dagar	Administrator, HUDA	245385 245189	251212	94164-76102

Ashima Garg	S.D.M. Hisar	232798	232289	94160-10600
Mandeep S. Brar	A.C.U.T.	231137	232289	94169-30030
<b>I.P.S.</b>				
Yashpal Singal	I.G. Hisar Range	233041	233040	94167-00055
Arshinder Chawla	S.S.P. Hisar	232307	232306 235196	98963-04100
S.P. Ranga	S.P. Vigilance	275280	277240	
Jagdish Nagar	S.P. Illrd Battalion	276276	233258	
	Addl. S.P.			
Tejveer Singh	D.S.P. (City)	233198	276850	
S.S. Lohan	D.S.P. (HQ)	232663		99961-15015 98964-23111
Surender Pal	D.S.P. Hansi	254147	254337	98967-05200
Ram S. Godara	D.S.P. Vigilance	232863		
Pritam Singh	D.S.P. CID	232844	231252	
	D.S.P. Railways	232848	233087	
Shashi Ahlawat	Superintendent Central Jail	232959	232987	
	Superintendent Borstal Jail	254431	254810	
	Police Control Room	237150	100	232663
	Police Line	276886		
<b>JUDICIARY</b>				
Anita Chaudyary	Distt. & Session Judge	232876	232876	
Shiva Sharma	Addl. Distt. & S. Judge	234246	254568	
R.K. Bishnoi	-do-	270239	242988	94163-12212
Raj Kumar	-do-	230468	254532	
Kamal Kant	-do-	231115	254793	
A.K. Singh Panwar	-do-	233805	235955	
Amar Nath Manocha	Fast Track Court		242442	
Alka Malik	C.J.M.	234245	254416	
Sukram Pal	A.C.J.M.	232822	232499	
Poonam Suneja	Judicial Magistrate-I	272308	254855	
A.K. Mehta	-do-	272306	254444	
Jasbir Singh	-do-	272305	272030	
Nerender Kaur	-do-	272305	272030	
R.P. Singh	-do-	272607	253734	
Radha Krishan	Spl. Judicial Magistrate		283333	
R.C. Sharma	Soiuptt. Session Court	232376	254627	98960-54672
Suraj Mal	Distt. Attorney	231017	242939	94164-92197
<b>H.C.S</b>				
Ashima Garg	S.D.M. Hisar Distt. Transport Officer, Hsr.	233929 232798	283013 232289	94160-10600
Ashok Kumar	City Magistrate	233243	229151	94167-75384
Ashok Kumar Garg	S.D.M. Hansi	254074	254005	94164-73636
Jai Krishan Abhir	E.O. HUDA	245108	227207	98960-88500
Ram Nath	L.A.O. HUDA	247689	222129	98132-20929
Karan Singh Dalal	D.D.P.O.	230927	233210	98962-65947
Surjeet Singh Nain	G.M. Roadways	231028	230405	94160-92013
Amardeep	L.A.O. PWD B&R Hisar	237116		98117-10744
Satbir Singh	Zonal Admn. Marketing Bd.	275369		94661-12322
Randheer Sodhi	L.A.O. Panchayat	230927		94165-86701
	D.M. & O.	275045		

**HUDA DEPARTMENT**

Phatesh S. Dagar	Administrator, HUDA	245385 245189	251212	94164-76102
jai Kishan Abhir	E.O. HUDA	245108	227207	98960-88500
Ram Nath	L.A.O. HUDA	247689		98132-30929
R.K. Kakar	S.E.	247694	243091	98962-34134
Ishwar Singh	Xen. Division No. 1	247381	245575	94160-42596
V.K. Sheokand	Xen. Division No. 2	245174	247112	99962-48148 98911-29203
P.K. Kasyap	Xen. Electrical	246786	246764	92161-61222
Shyam Lal	Xen. Horticulture	245569	250415	94162-20045

**HARYANA STATE AGRI. MARKETING BOARD**

S.K. Nangroo	S.E. Marketing Board	277933	276433	94160-36745
C.P. Gupta	XEN. -do-	275612		
Prithvi Singh	ZMEO	275045		94163-09989
Krishan Kumar	DMEO	275045		94165-93724
Preet Pal Kundu	Zoonal Admn. Mkt. Board	275369		94661-12322
Krishan Kumar	Secyretary Mkt. Comtt. Hisar	275805	275693	94163-23358 94663-35503
	Secyretary Mkt. Comtt. Hansi	254259		98132-00212
	Secyretary Mkt. Comtt. Adampur	242042		
Om Parkash	Secyretary Mkt. Comtt. Barwala	242027		
	Secyretary Mkt. Comtt. Uklana	233377		
	Secyretary Mkt. Comtt.Narnaund	233513		98123-24956

**LOCAL BODIES DEPARTMENT**

Bihari Lal Rara	President, Hisar	237884 237001	238249	98122-89599
Poonam	President, Hansi	254878 254008	254105 254078	98120-20021
R.K. Berwal	E.O. M. C. Hisar	237884 237001	276591	94160-37322
V.K. Rana	E.O. M. C. Hansi	254878 254008	254868	98120-20021
Sarvan K. Gupta	Secretary M.C. Hisar	225718		94165-96538
Inder Jeet	Secretary M.C. Hansi	254878 254008	277888	98134-84603 99910-99688
Subhash Singal	Secretary M.C.Narnaund	233349	227940	98967-54444
Satish	Secretary M.C. Barwala	242149		98122-57832
	Fire Officer Hisar	101		94160-42438
	Fire Brigade M.C. Hisar	275050	101	
	Fire Brigade M.C. Hansi	254010		
	Fire Brigade M.C. Barwala	243310	244300	

<b>DAKSHIN HARYANA BIJLI VITRAN NIGAM</b>				
Vijayendra Kumar	Managing Director	220698 221724	221021	98120-50920 98120-59768
M.K. Sharma	Director	220438	220835	98122-01235
R.A. Bansal	G.M. Hisar Circle	232629	232094	98122-21710
K.K. Sharma	D.G.M. Division No.I	237853	221428	98120-97573
	D.G.M. Division No.II	234324	221428	98120-97573
	D.G.M. Division Hansi	254142	254045	98122-01236
<b>PWD B&amp;R DEPARTMENT</b>				
N.L. Kapoor	S.E. Hisar Circle	237116	232658	94163-35835
Karan Singh Dalal	XEN. Division-I	237889		94161-85244
H.N. Singla	XEN. Division-2& N.H.-10	225256	283050	94160-09118
A.K. Mehta	XEN. Division-3			92155-60415
Ch. Gopal Ram	Xen. Electrical	225651		
R.S. Mehta	Xen. Mechanical	225133		98132-82800
	Director Lab.	232878		
P.K. Chaudhary	Dy. Director Lab.	225683		94162-80400
Jai Kishan	L.A.O. PWD B&R	225683		98117-10744
P.C. Virdhi	Xen. PWD B&R Hansi	259688	259388	94161-23740
<b>PUBLIC HEALTH DEPARTMENT</b>				
Sujana Ram	S.E. Hisar Circle	245621	243022	24661-62001
Dalbir Singh Saini	XEN. Division-I	245227		24165-00804
S.S. Lohan	XEN. Division-2	246249	245578	98135-11603
Rajbir Kaushik	XEN. Hansi	256145	256144	94163-18131
Satish	JE			98135-11613
<b>IRRIGATION DEPARTMENT</b>				
R.K. Dhawan	SE BWS Circle-I	225770	243015	94163-97627
R.K. Deewan	SE Mechanical Circle	225712	229133	94162-90805
Damoder Sharma	SE Construction Circle	225631	239315	98962-96120
C.P. Goyal	SE CADA	227369	220777	94163-44139

<b>HARYANA AGRICULTURE UNIVERSITY</b>				
J.C. Katyal	Vice Chancellor	231610 231640	231238 284342	
Mr. Gupta	Secretary to V.C.	231610 231640	229416	
R.S. Dalal	Registrar	234613	270289	94169-61028
	EPBX HAU	231171 237220	231172 237221	231173 237223
<b>GUGU JAMBHESHWAR UNIVERSITY</b>				
R.P. Bajpai	Vice Chancellor	276192	275533 263201	
Mr. Verma	P.S. to V.C.	263106		98132-33235
Mr. Mukesh	P.A. to V.C.	276192		94168-49901
	Registrar	275125	275241	94160-16240
S.K. Arora	Dy. Registrar	263135	275556	98123-76074
Mr. Dinesh	P.A. to Registrar	275025	275018	
	EPBX	275015	275018	
<b>HEAD OF DEPARTMENTS</b>				
Suresh Gehlot	Dy. Director Agriculture	225713		92155-55448
L.C. Ranga	Dy. Director Animal Hus.	225819	235238	94169-41380
Trapta Sharma	D.E.T.C. (Sales)	234329	272799	94166-46344
Ashok Sharma	D.E.T.C. (Excise)	238890	224227	98120-87425
Prem Chaudhary	AETO			98128-74721
Yasbir Singh	DPRO	232688	242106	93543-32711
Chottu Ram	APRO	232688		94163-97254
	APRO	232688		94161-55949
Mr. Jain	Dy. Director Deaf & Dumb	275630	275630	
Ghan Shyam Dass	D.F.S.C.	233944	233266	94160-76423
Azad Singh	AFSO			92155-45670
Dalip Singh	Distt. Welfare Officer	239607	224915	94160-26890
Dalbir Singh Saini	Distt. Social Welfare Officer	225604		94162-90153
Harpal Singh	D.C.W.O. (Bal Bhawan)	237027	246039	94166-25844
Dinesh Chauhan	Distt. Town Planner	234179		
Ajit Singh Kundu	STP	231106		94162-35218
Ram S. Bishnoi	D.R.C.S.	225693	254169	
Mr. Juneja	A.R.C.S.	225602		94660-74955
	PMO	278153		
	Civil Hospital	278158		
ARMY	EPBX	220013	220014	220015
BSF	-do-	276691	275799	
EBS	-do-	283324	233140	231132-33
HAU	-do-	231171	237720	231172-73
GJU	-do-	275015	275016	275017-18
DHBVN-Vidyut Sadan	-do-	220811	220338	220385
	Faculty House H.A.U.	220038	220953	
	Faculty Club H.A.U.	284325		
	Faculty House G.J.U.	236195		
		276605		

<b>REVENUE DEPARTMENT</b>				
Ram Avtar Gupta	D.R.O.	231137	254399	94161-28688
Mahender Singh	Tehsildar, Hisar	232590	254654	94160-15777
Atma Ram	-do- Hansi	254210	254210	98120-75856
Ram Pal Singh	-do- Adampur	243436		
Radhey Shyam	-do- Narnaund	233234		94166-44002
Dilbag S. Godara	-do- Pat.Tr.School			98961-23800
Chandu Lal	-do- Election	236499		
	-do- Sales			
	-do- Consolidation			
Radhay Shyam Mittal	N. Tehsildar, Hisar	232590	249316	98130-84320
Rajender Parshad	N. Tehsildar, Hansi	254210		98968-23377
	N. Tehsildar, Bass	240290		94167-88999
Radhay Shyam	N. Tehsildar, Narnaund	233234		
Sukhbir Singh	N. Tehsildar, Barwala	242723		94162-93272
Dharam Pal	N. Tehsildar, Adampur	243436		94166-40254
Hari Om Bishnoi	N. Tehsildar, Uklana			94167-88899
	N. Tehsildar, Surplus Area, Hsr	225151		
Balram	N. Tehsildar, O/O SDM Hsr.	232798		
	N. Tehsildar, O/O SDM Hansi	254074		
Bhoop Singh Godara	N. Tehsildar, Accounts, Hisar			94163-09997
<b>Block Development Department</b>				
Karan Singh Dalal	D.D.P.O.	230927	233210	98962-65947
Ranbir S. Sodhi	L.O. Panchayat	230927	237862	94165-86701
Amit Kumar	B.D.P.O.Hisar-I	225243		94160-78996
Ram Singh	B.D.P.O.Hisar-II	225188		94163-12059
Ashok Kumar	B.D.P.O.Hansi-I	254102		98131-95795
Rajender Singh	B.D.P.O.Hansi-II			
Jitender Ahlawat	B.D.P.O.Narnaund	233275		94162-67964
Pardeep Ahlawat	B.D.P.O.Barwala	242034		94162-32896
Ramesh Lal	B.D.P.O.Uklana	233356		94166-57329
Mahender Singh	B.D.P.O.Adampur	242157		94162-51675
Rajesh Koth	B.D.P.O.Agroha	281161	250487	94165-00083
Ishwar Singh	XEN. Panchayat Raj	234172		94162-31662
<b>TELECOM DEPARTMENT</b>				
M.M. Agnihotri	G.M. Roadways	233771	233772	
G.S. Bains	Dy. G.M.	231500	235555	
Jagdish Lather	S.D.O.	233883	210020	
Mr. Verma	S.D.O.	210055		
	S.D.O. Mobile	229911		

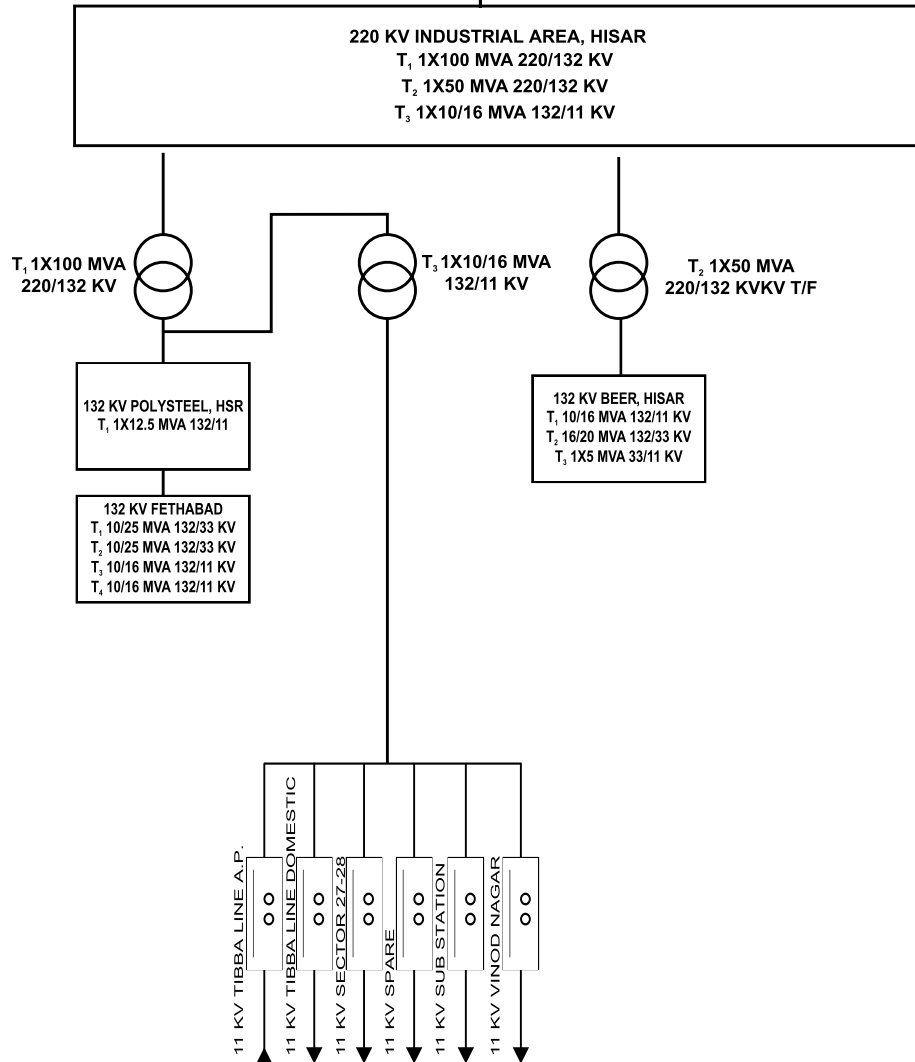


**Schematic Key Diagram of  
All 220/132/33 KV Sub Stations  
Under Jurisdictions of "OP"  
Circle DHBVN Hisar**

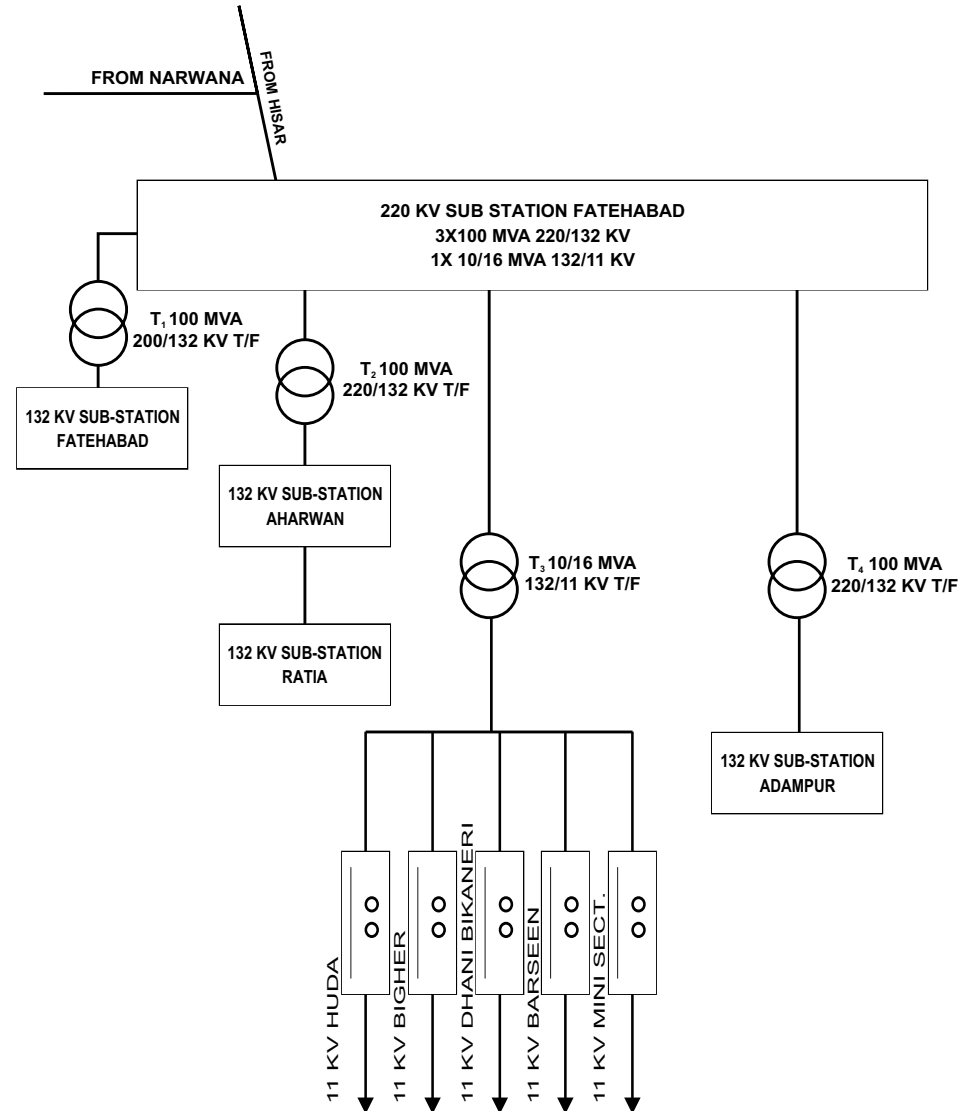
Drawn by : JRK D/M

# SCHEMATIC DIAGRAM OF 220KV INDUSTRIAL AREA, HISAR

220 KV LINE FROM 400 KV MAYYAR HISAR

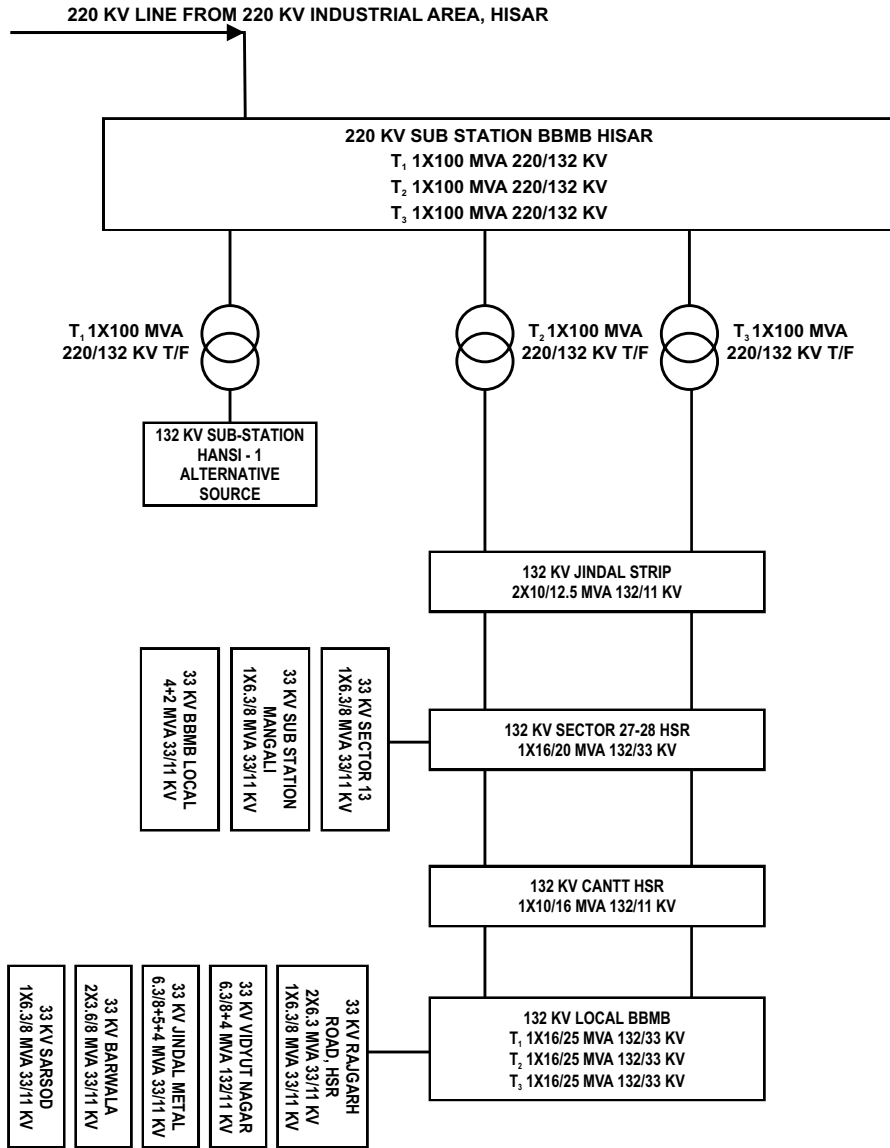


# SCHEMATIC DIAGRAM OF 220KV SUB-STATION FATEHABAD

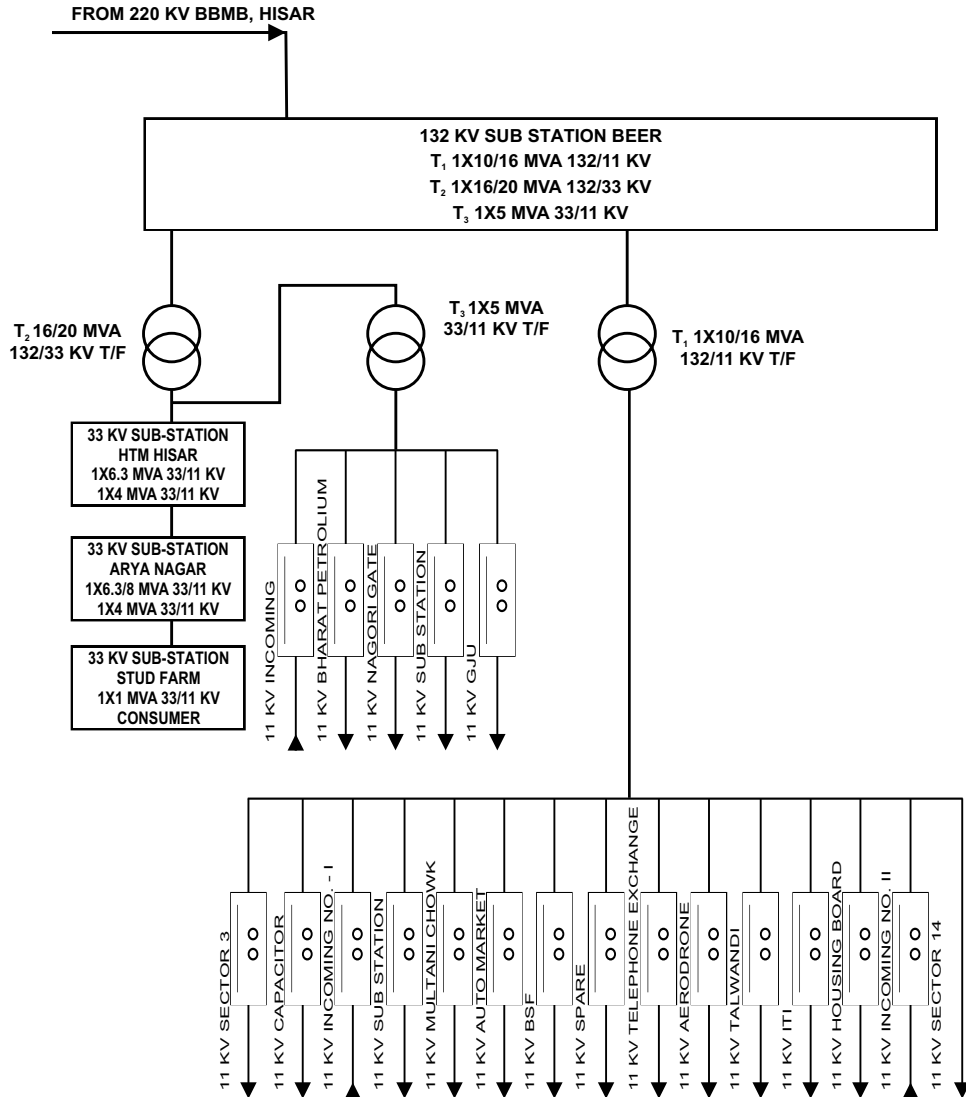




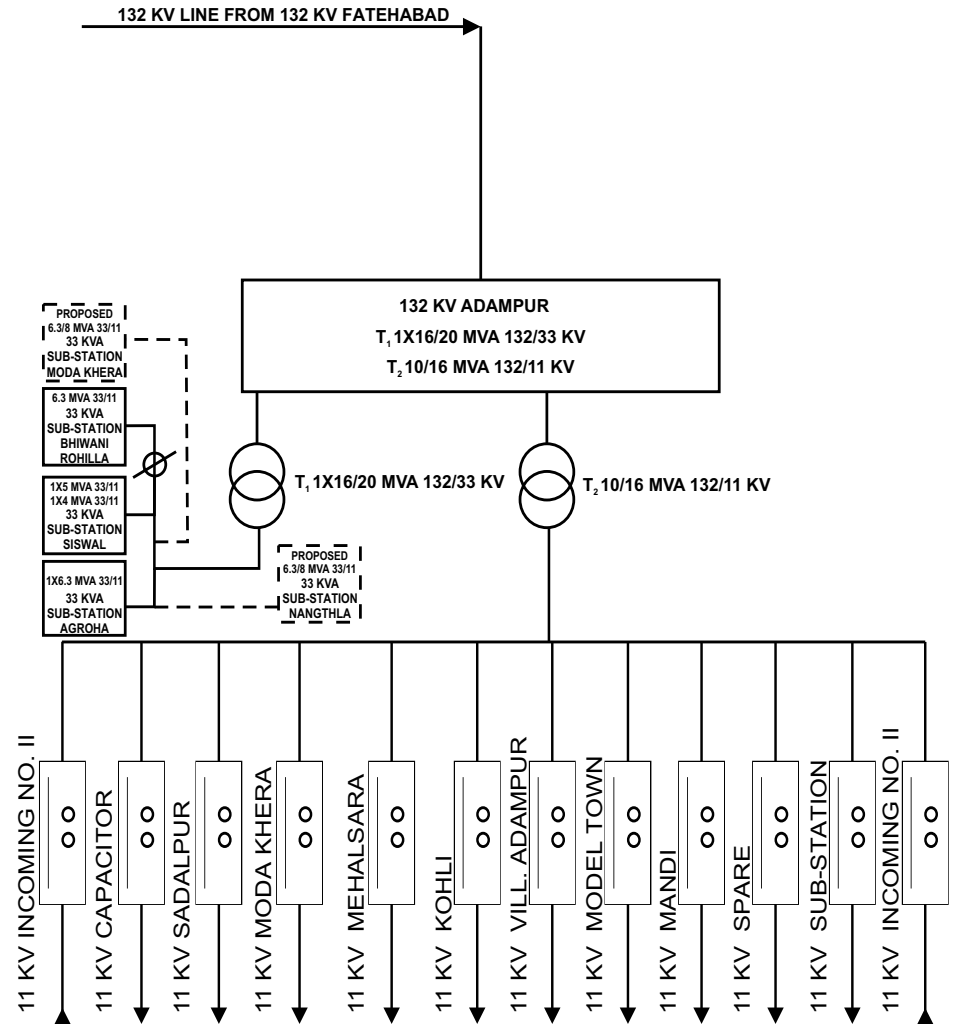
# SCHEMATIC DIAGRAM OF 220KV SUB-STATION BBMB, HISAR



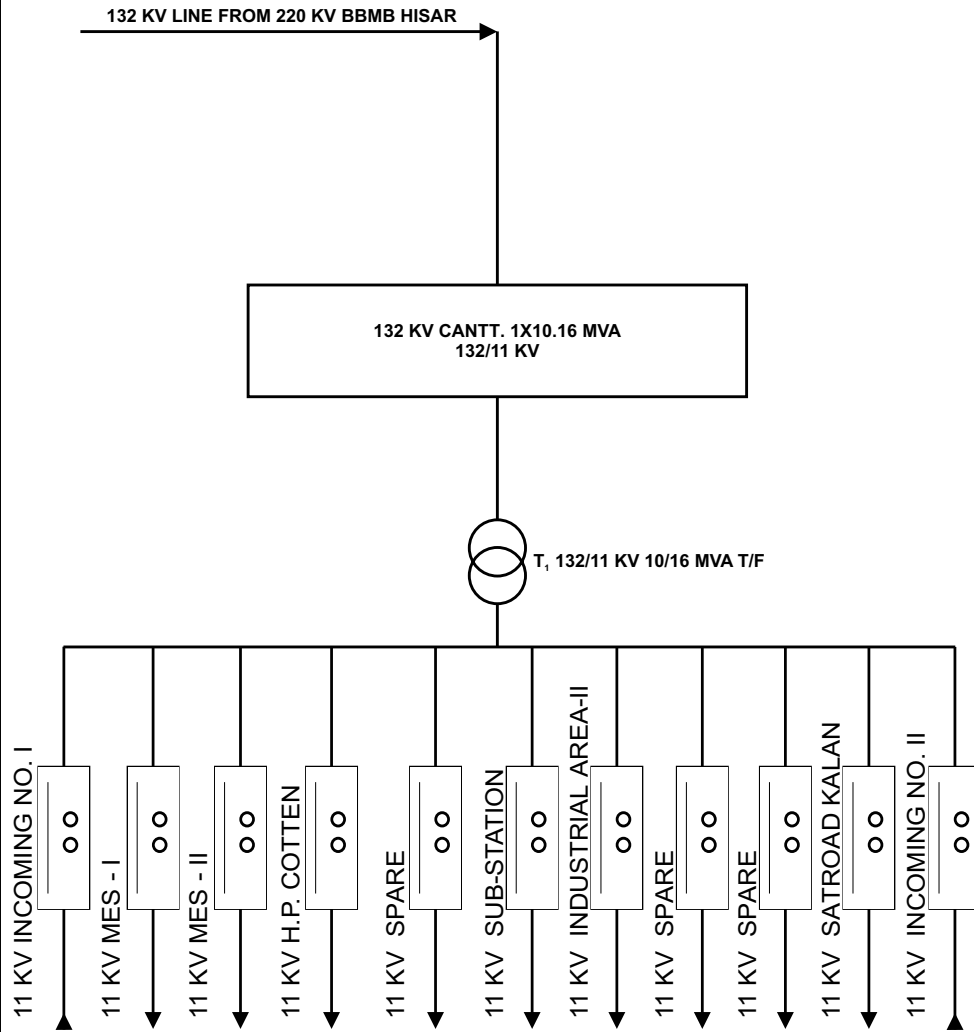
# SCHEMATIC DIAGRAM OF 132KV SUB-STATION BEER



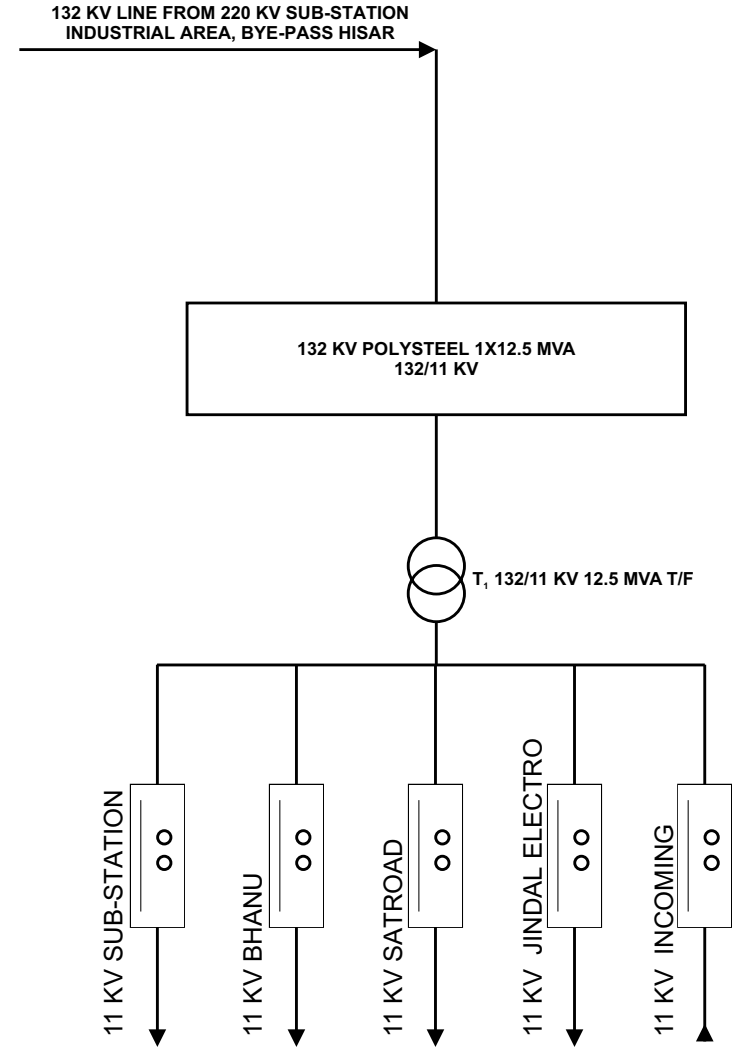
# SCHEMATIC DIAGRAM OF 132KV SUB-STATION ADAMPUR



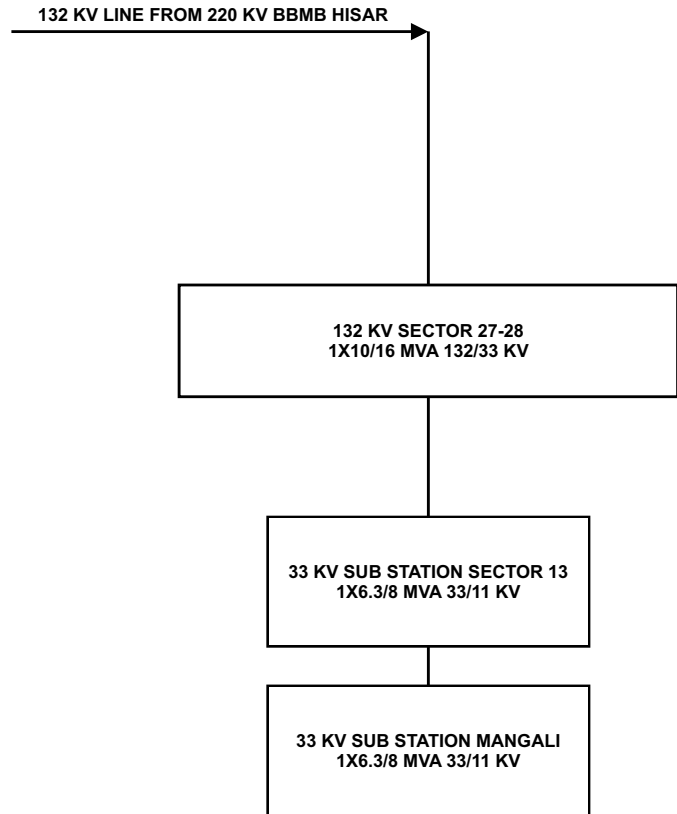
# SCHEMATIC DIAGRAM OF 132KV SUB-STATION CANTT. HISAR



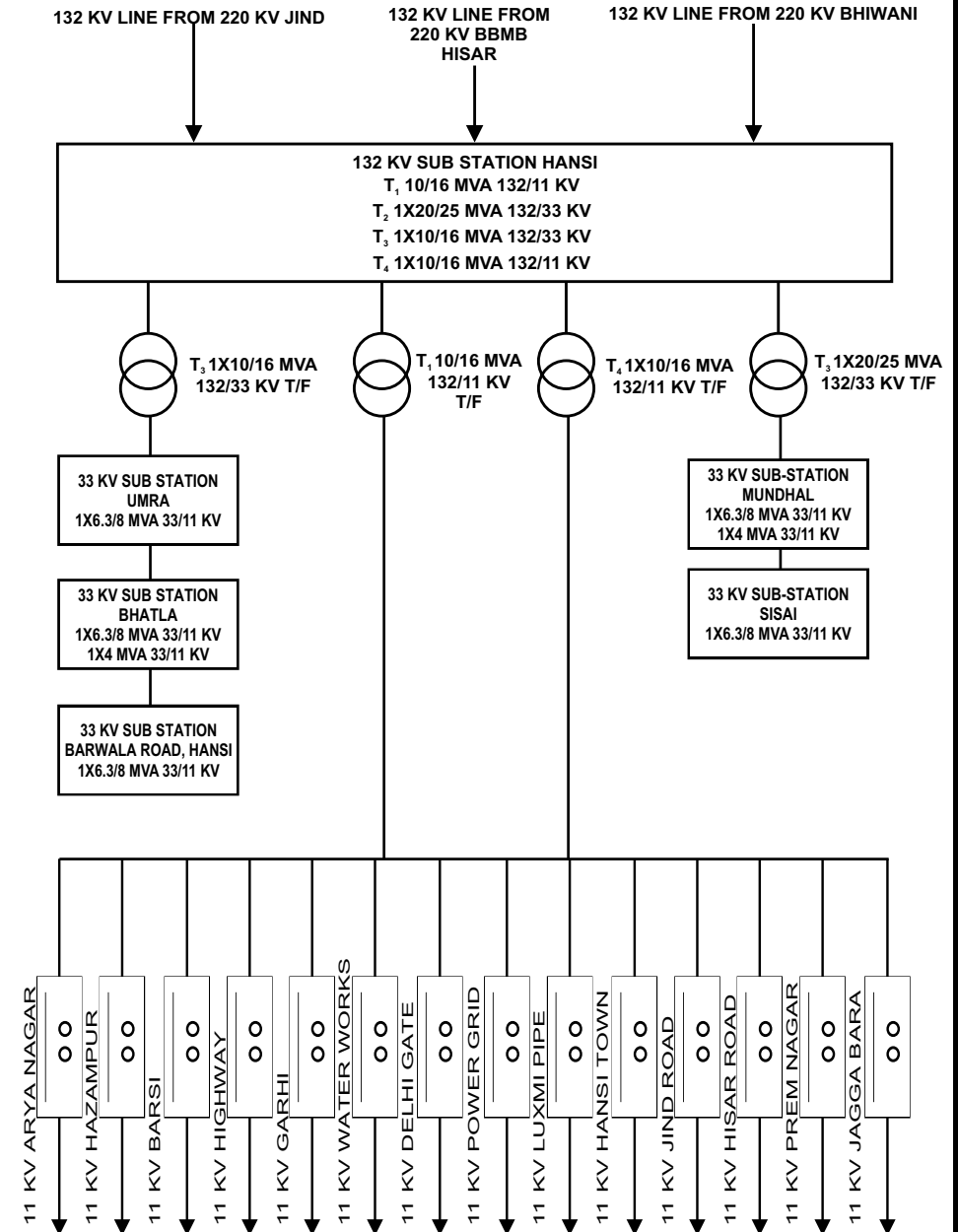
# SCHEMATIC DIAGRAM OF 132KV SUB-STATION POLYSTEEL, HSR



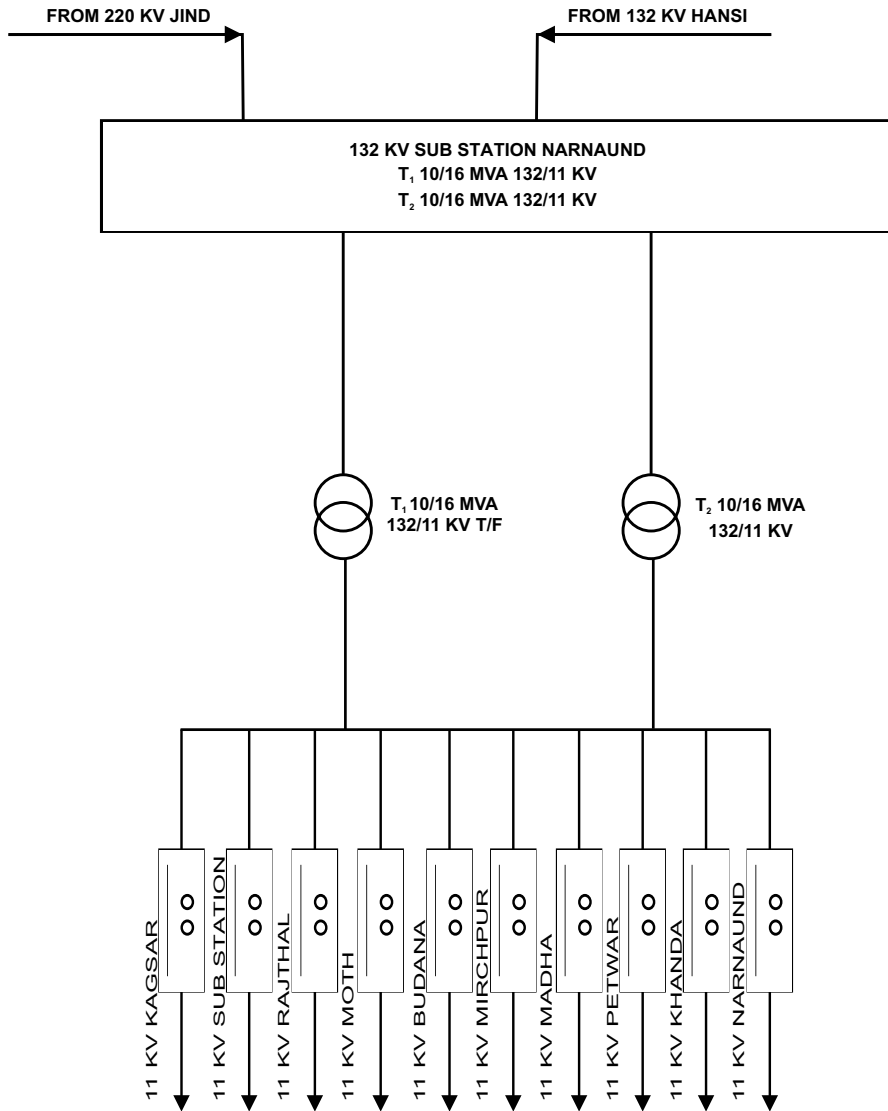
# SCHEMATIC DIAGRAM OF 132KV SUB-STATION SECTOR 27-28 HSR



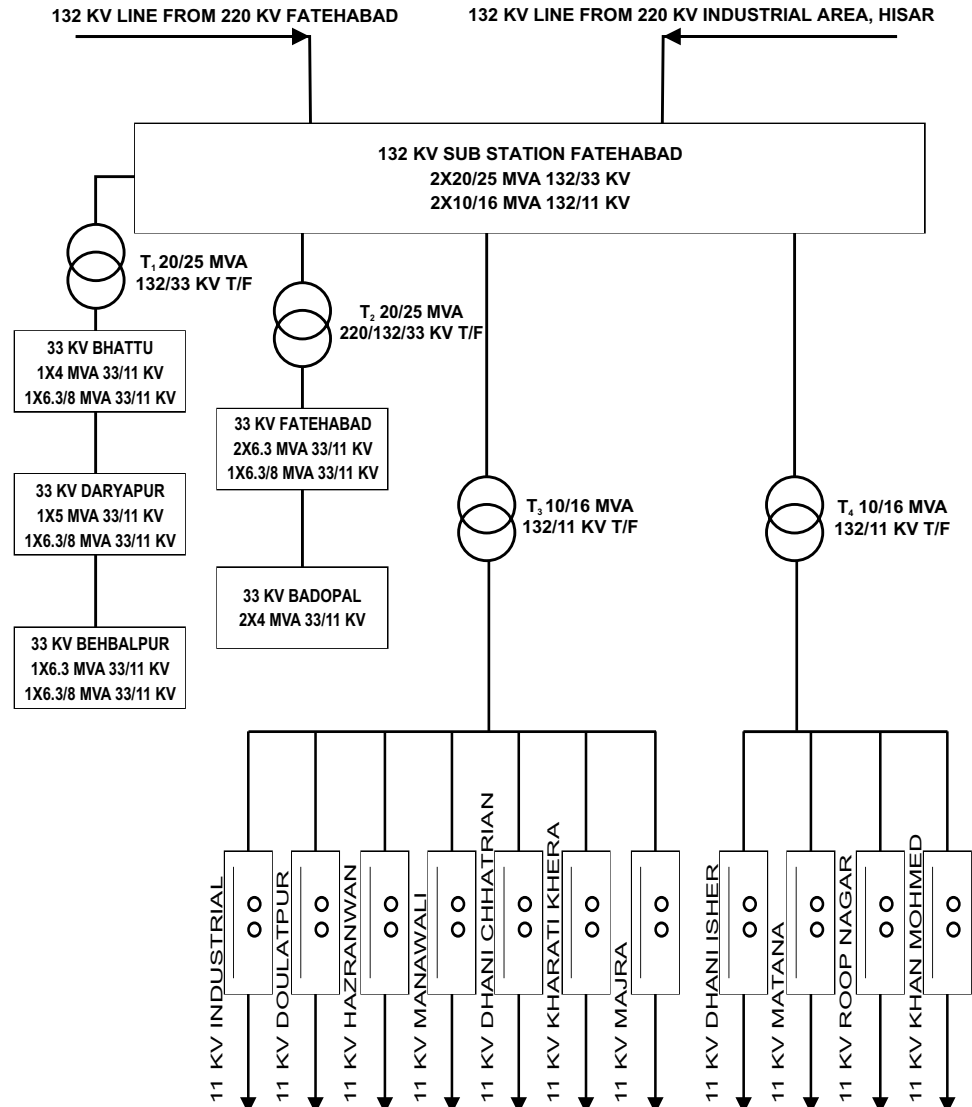
# SCHEMATIC DIAGRAM OF 132 KV SUB-STATION HANSI



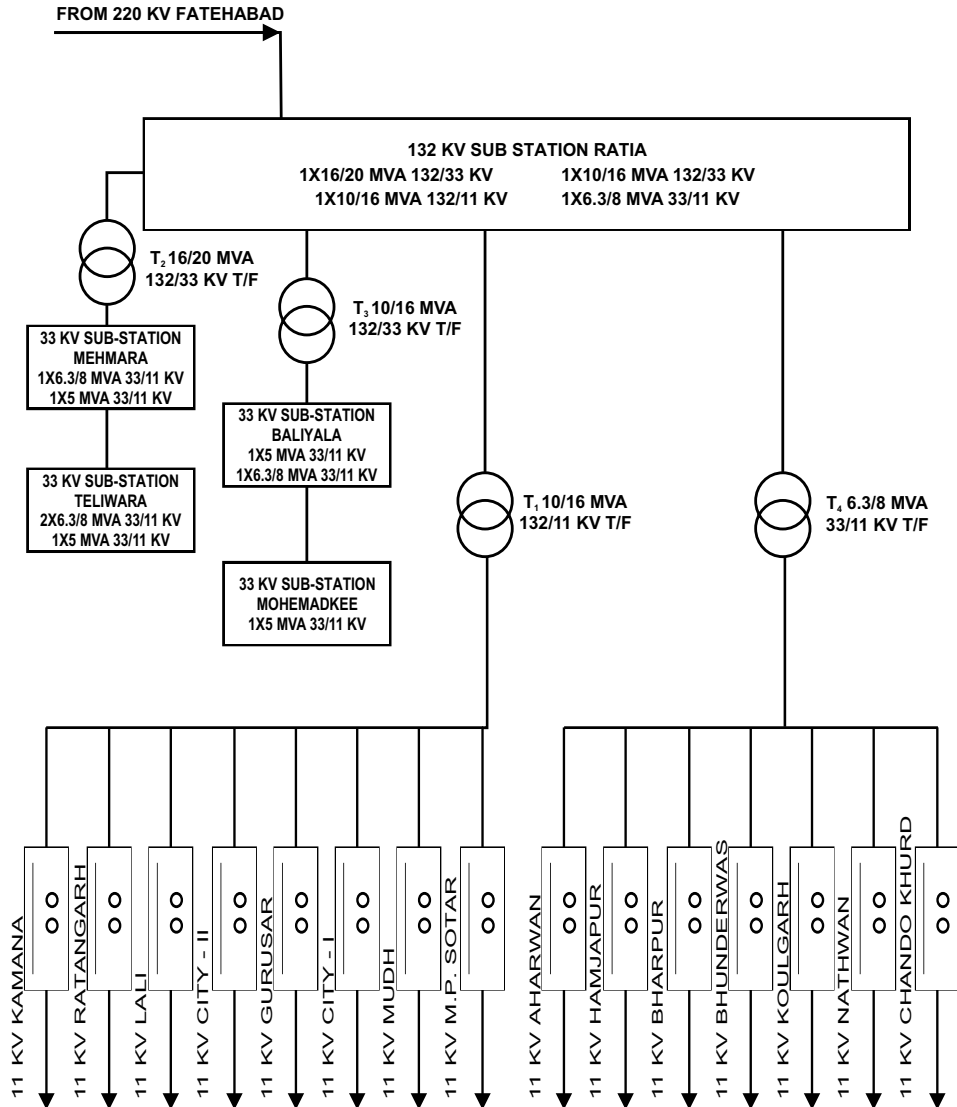
# SCHEMATIC DIAGRAM OF 132KV SUB-STATION NARNAUND



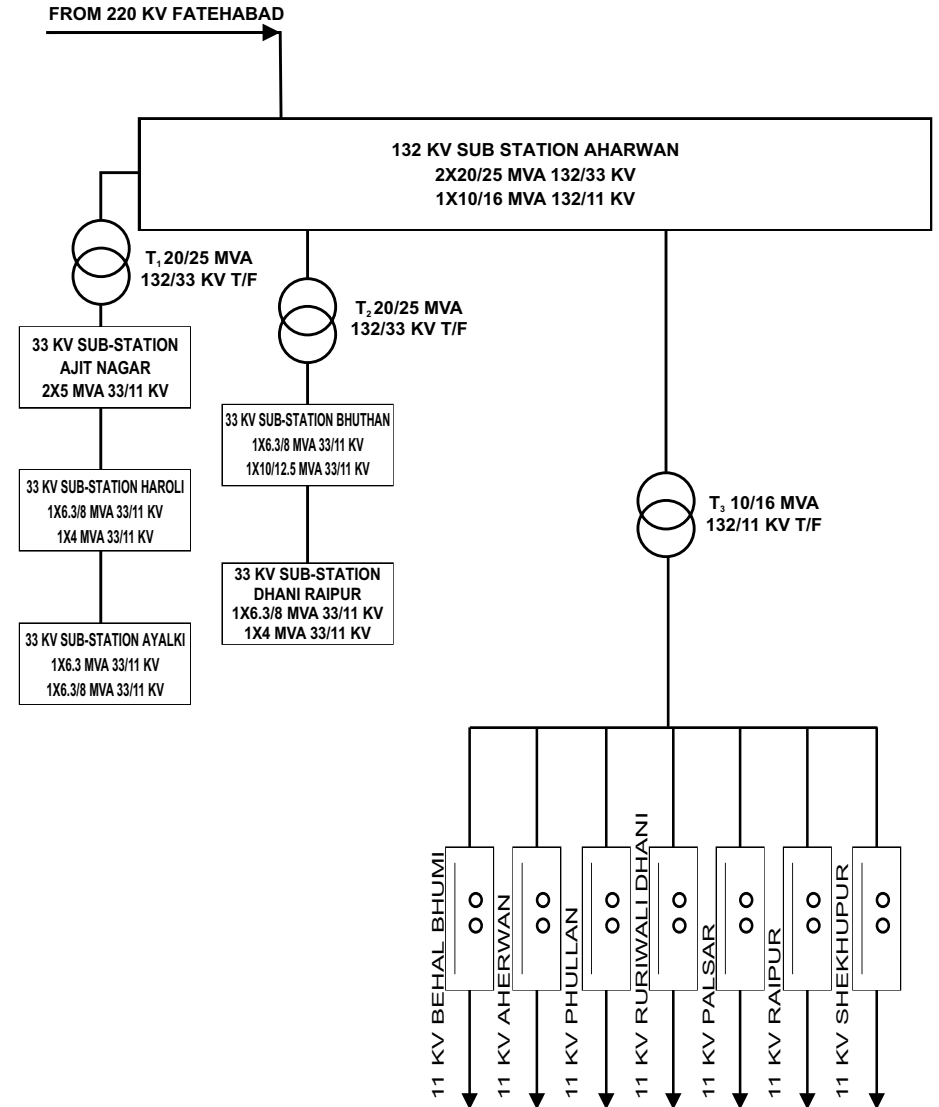
# SCHEMATIC DIAGRAM OF 132KV SUB-STATION FATEHABAD



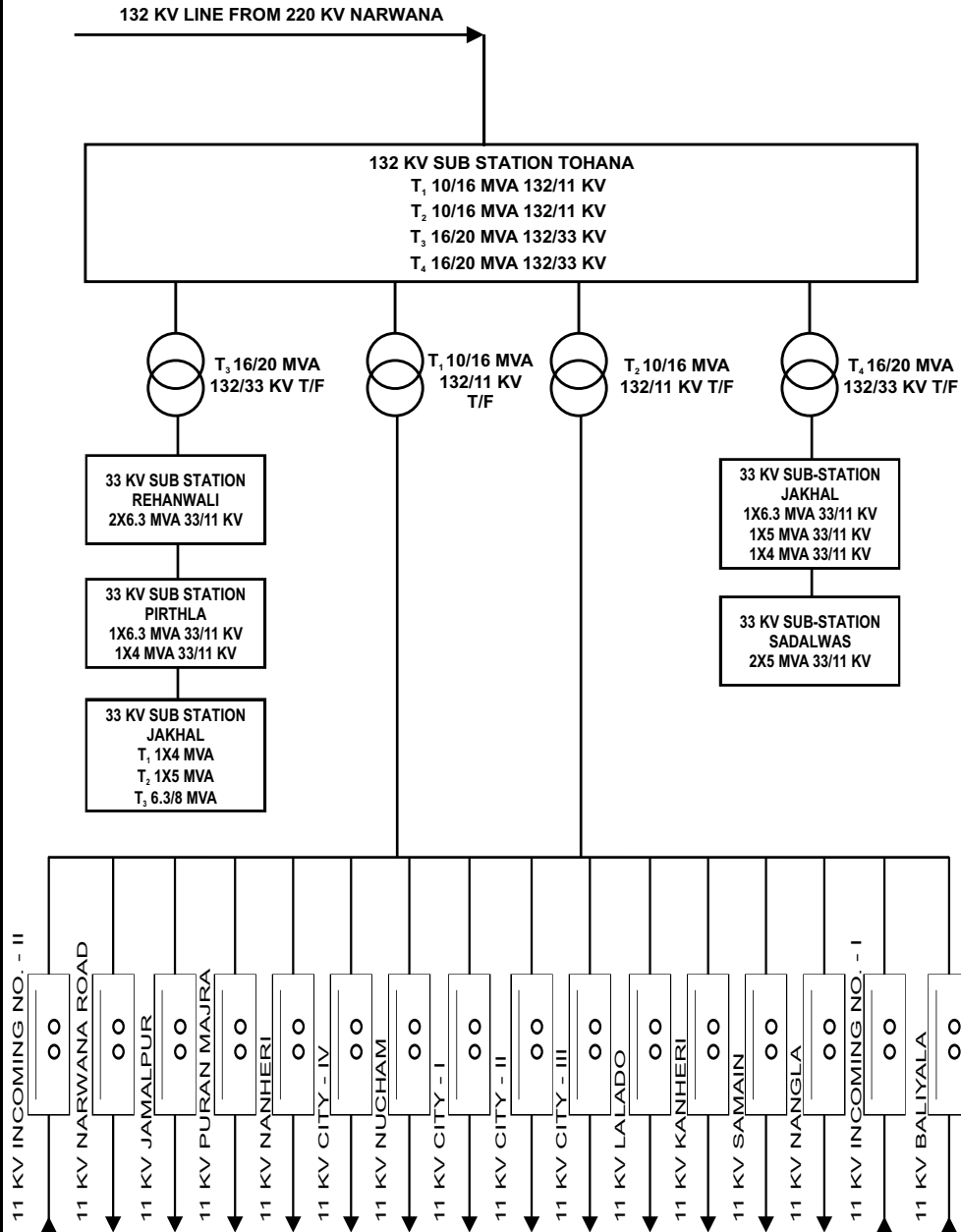
# SCHEMATIC DIAGRAM OF 132KV SUB-STATION RATIA



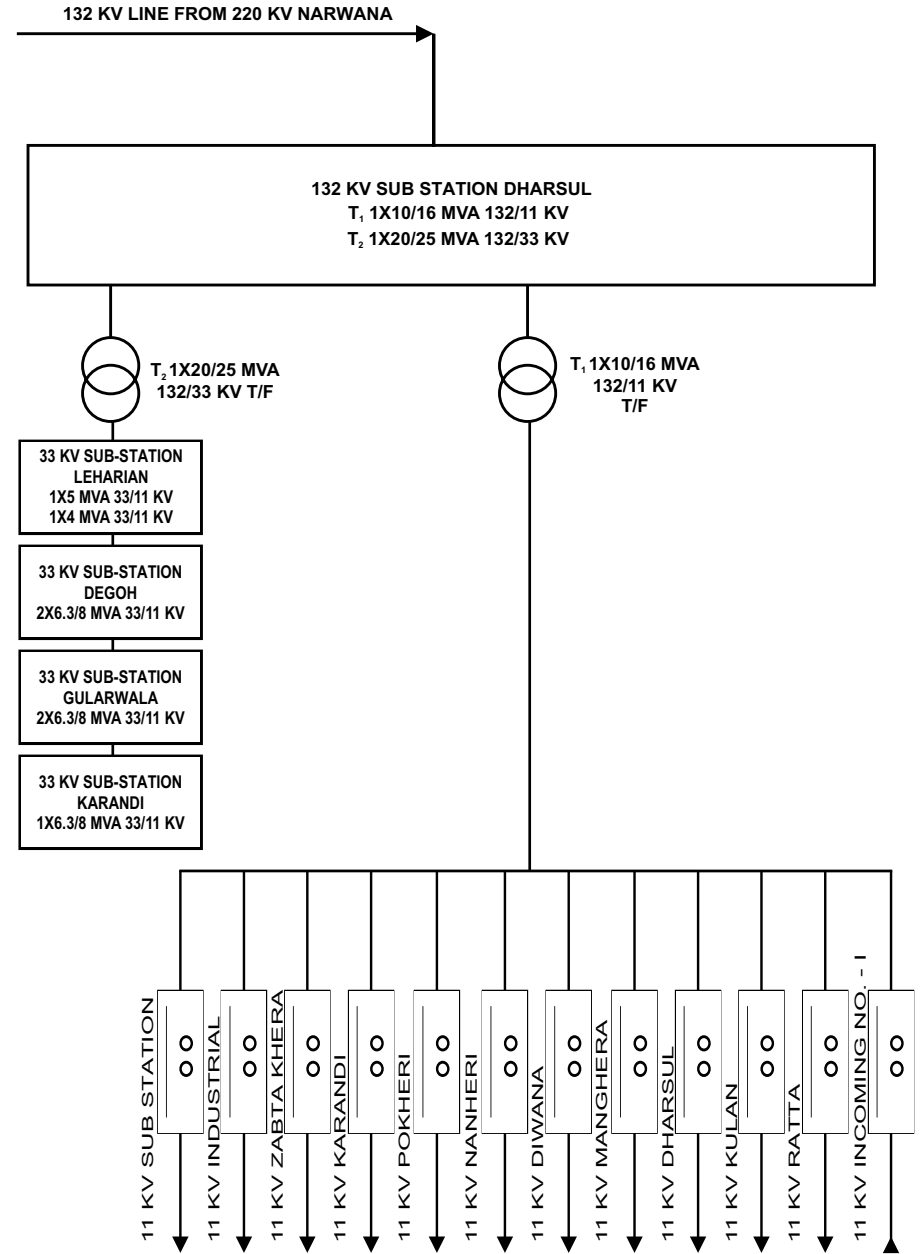
# SCHEMATIC DIAGRAM OF 132KV SUB-STATION AHRAWAN



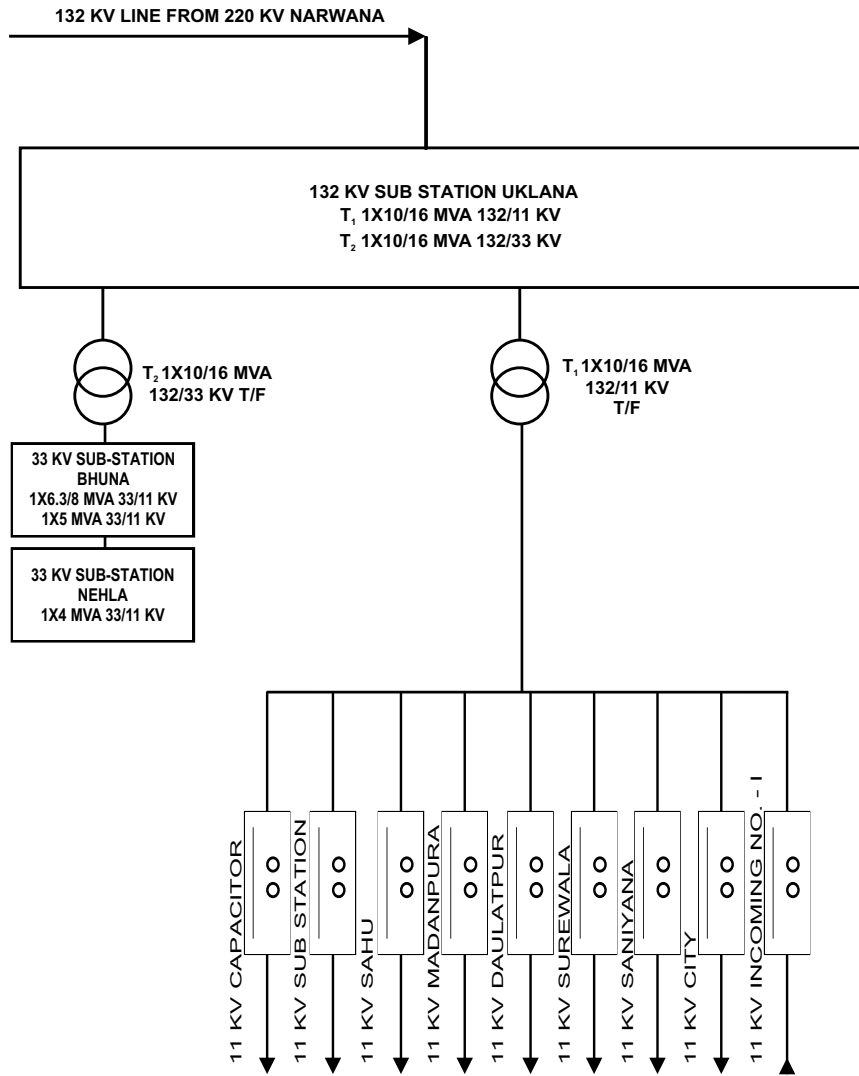
# SCHEMATIC DIAGRAM OF 132KV SUB-STATION TOHANA



# SCHEMATIC DIAGRAM OF 132KV SUB-STATION DHARSUL

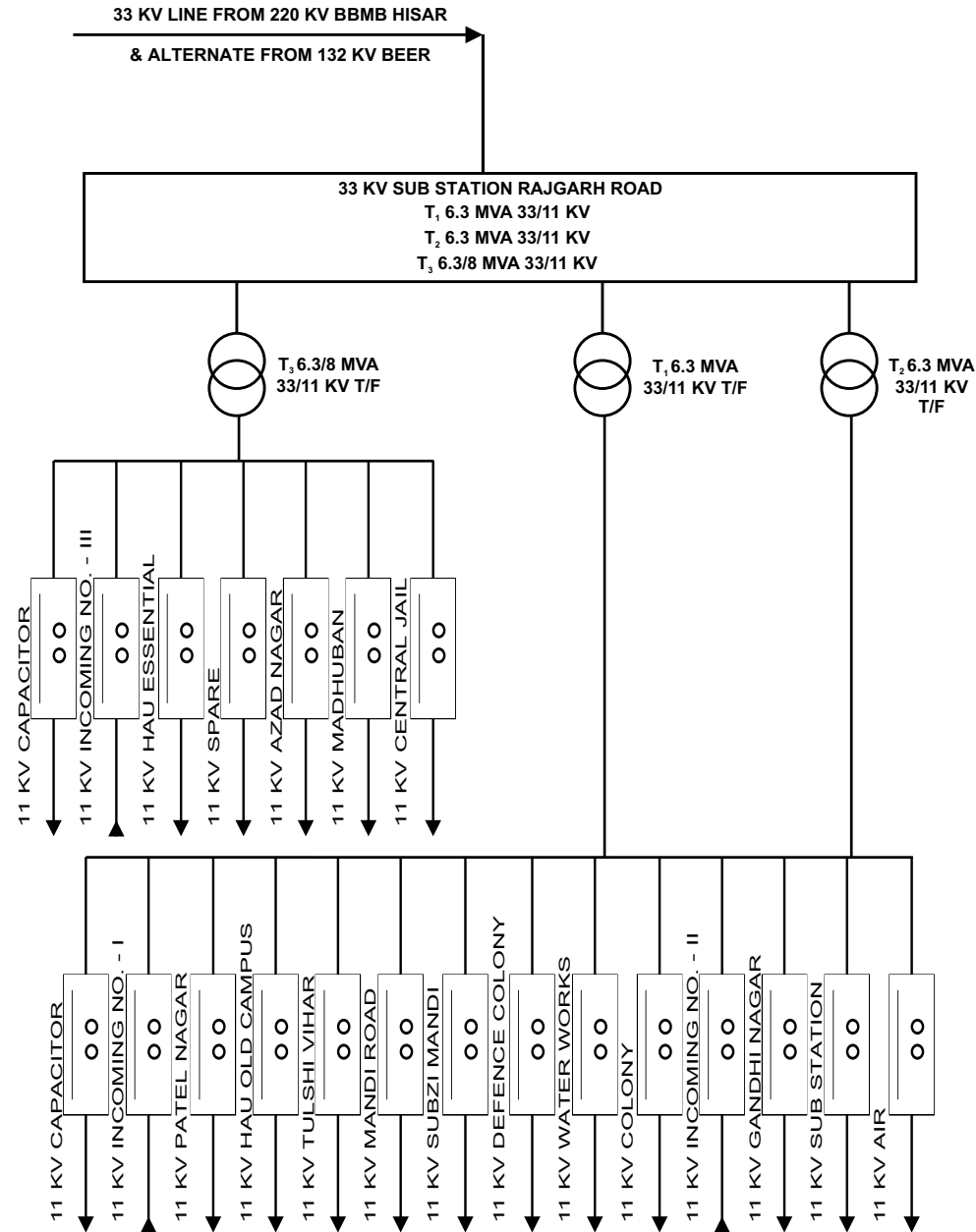


# SCHEMATIC DIAGRAM OF 132KV SUB-STATION UKLANA

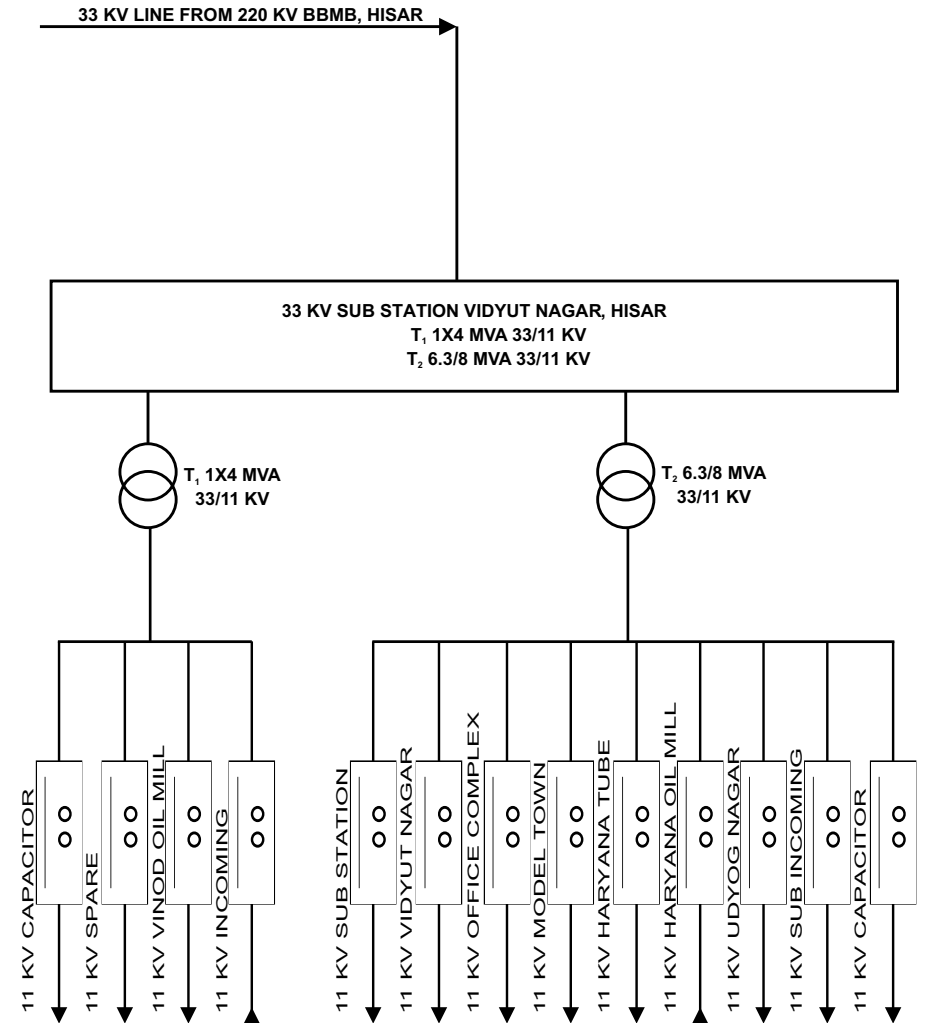




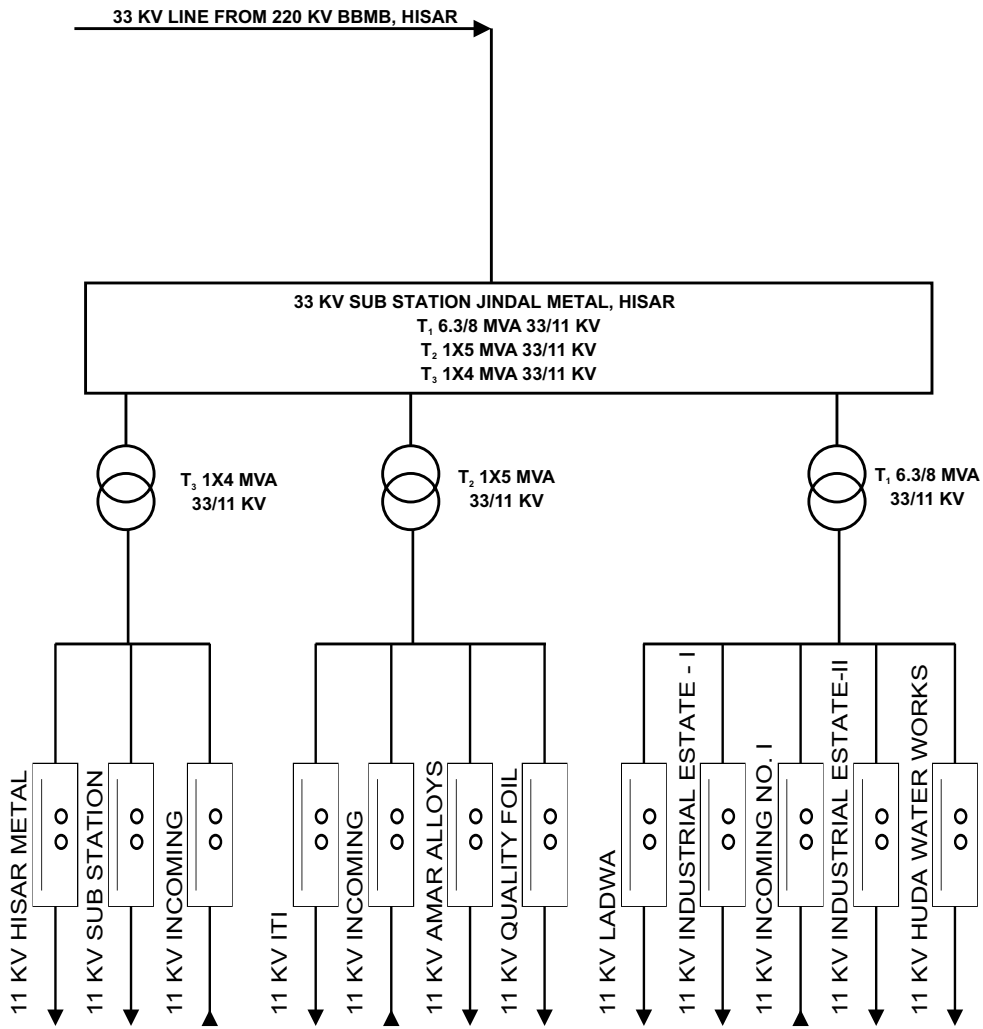
# SCHEMATIC DIAGRAM OF 33KV SUB-STATION RAJGARH ROAD, HISAR



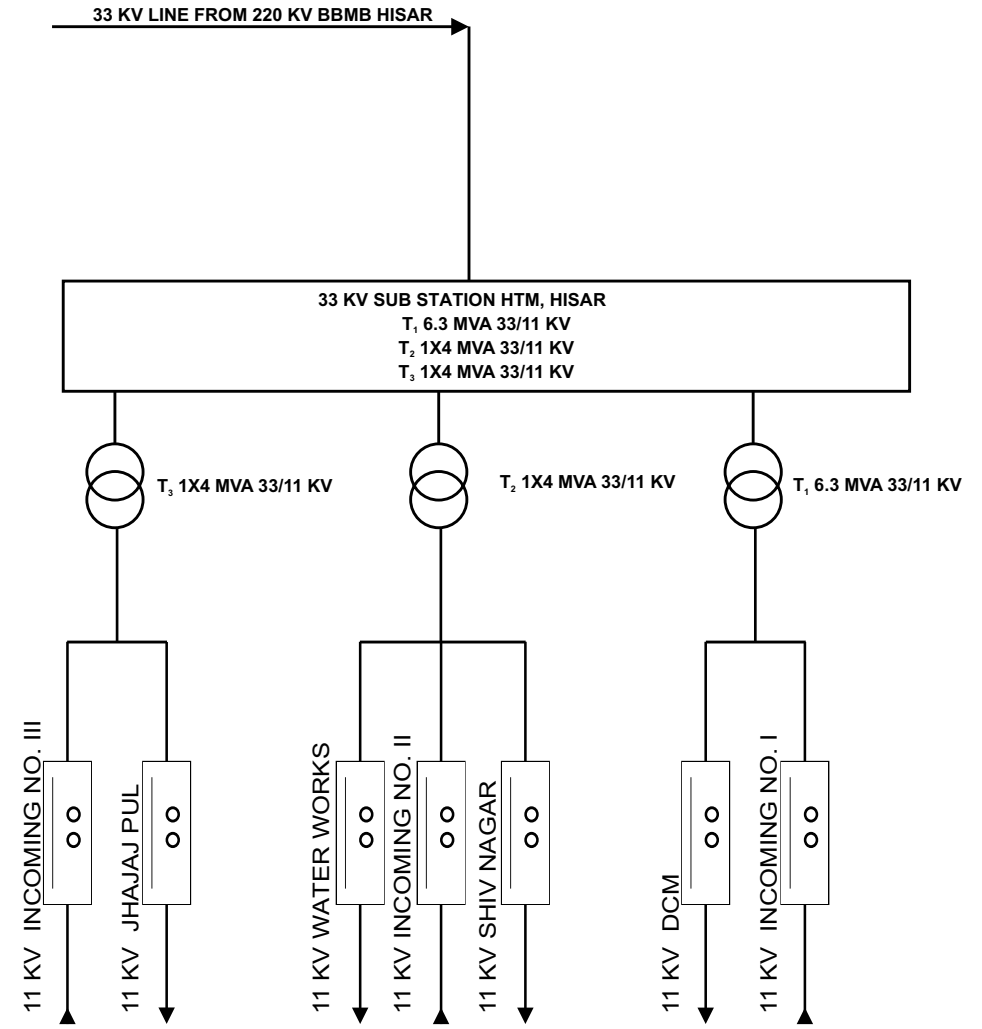
# SCHEMATIC DIAGRAM OF 33KV SUB-STATION VIDYUT NAGAR, HISAR



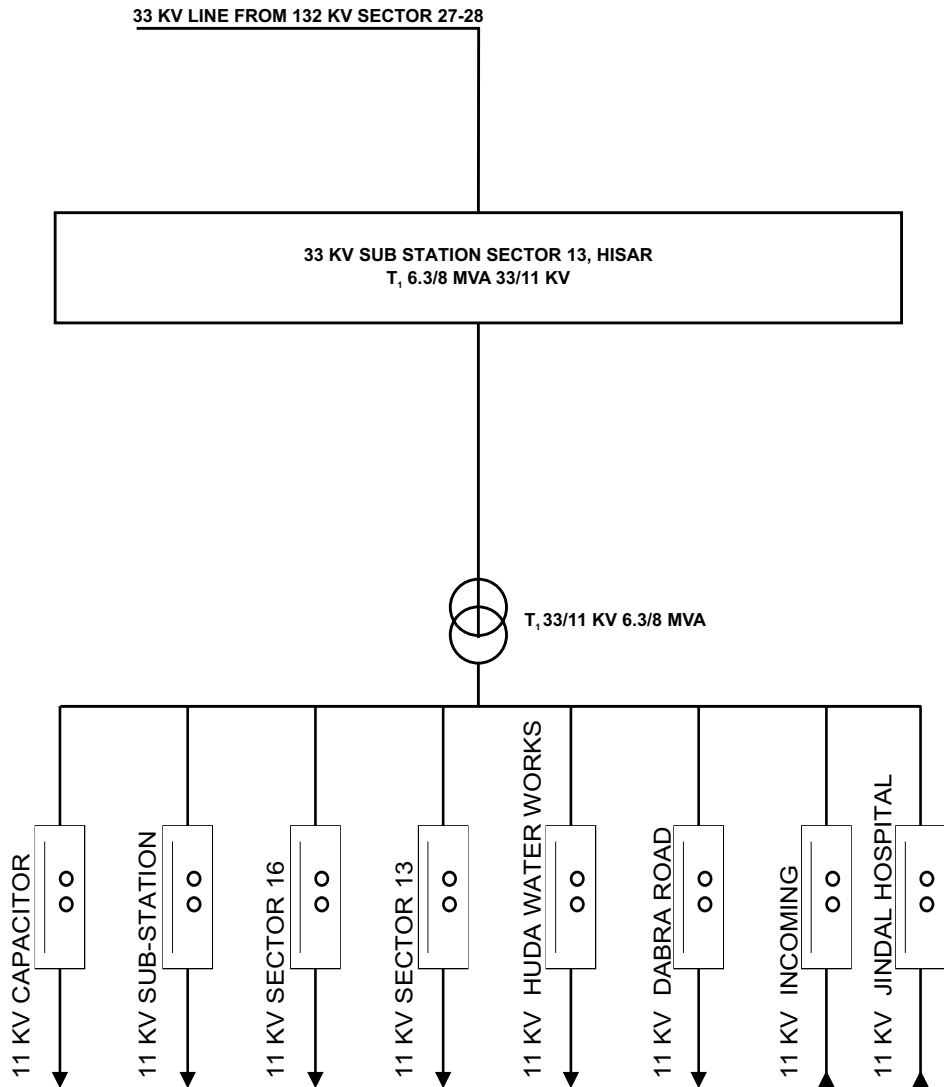
# SCHEMATIC DIAGRAM OF 33KV SUB-STATION JINDAL METAL, HISAR



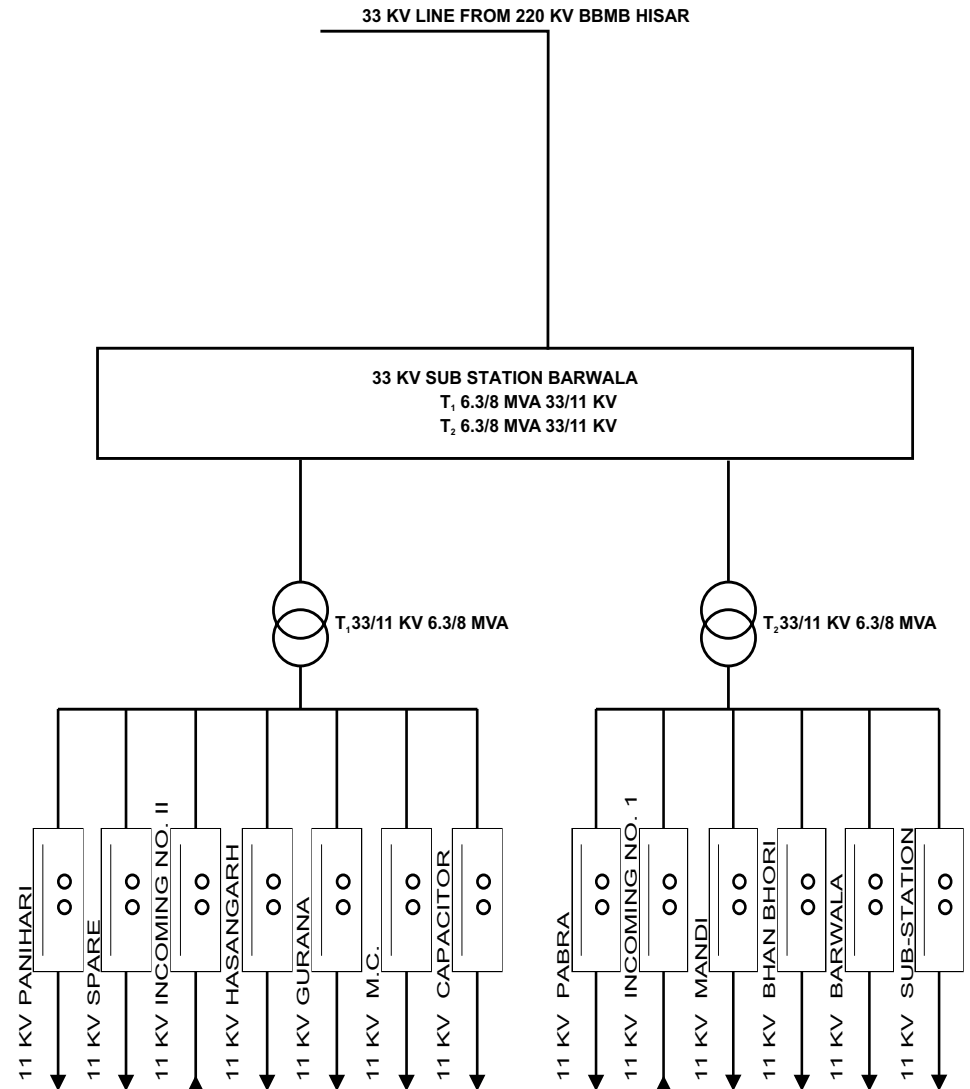
# SCHEMATIC DIAGRAM OF 33KV SUB-STATION HTM, HISAR



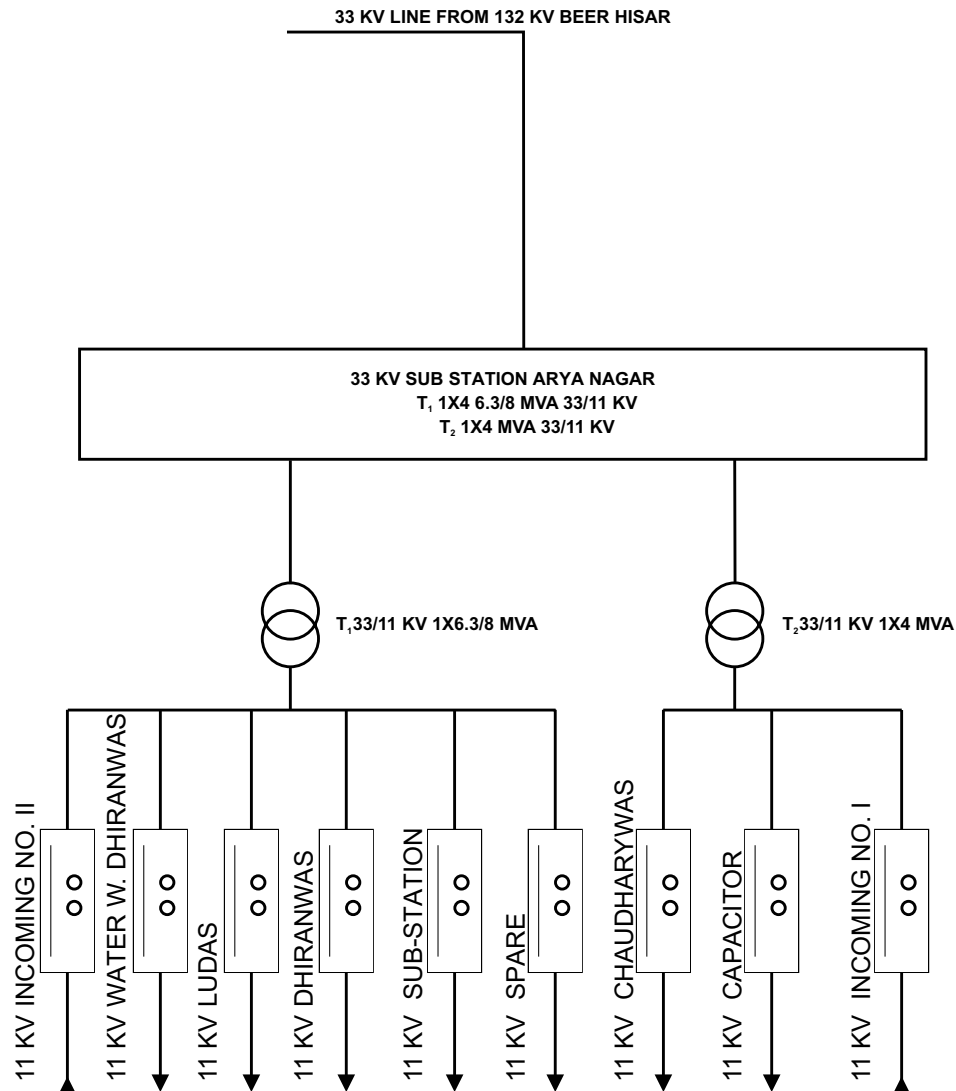
# SCHEMATIC DIAGRAM OF 33KV SUB-STATION SECTOR 13, HISAR



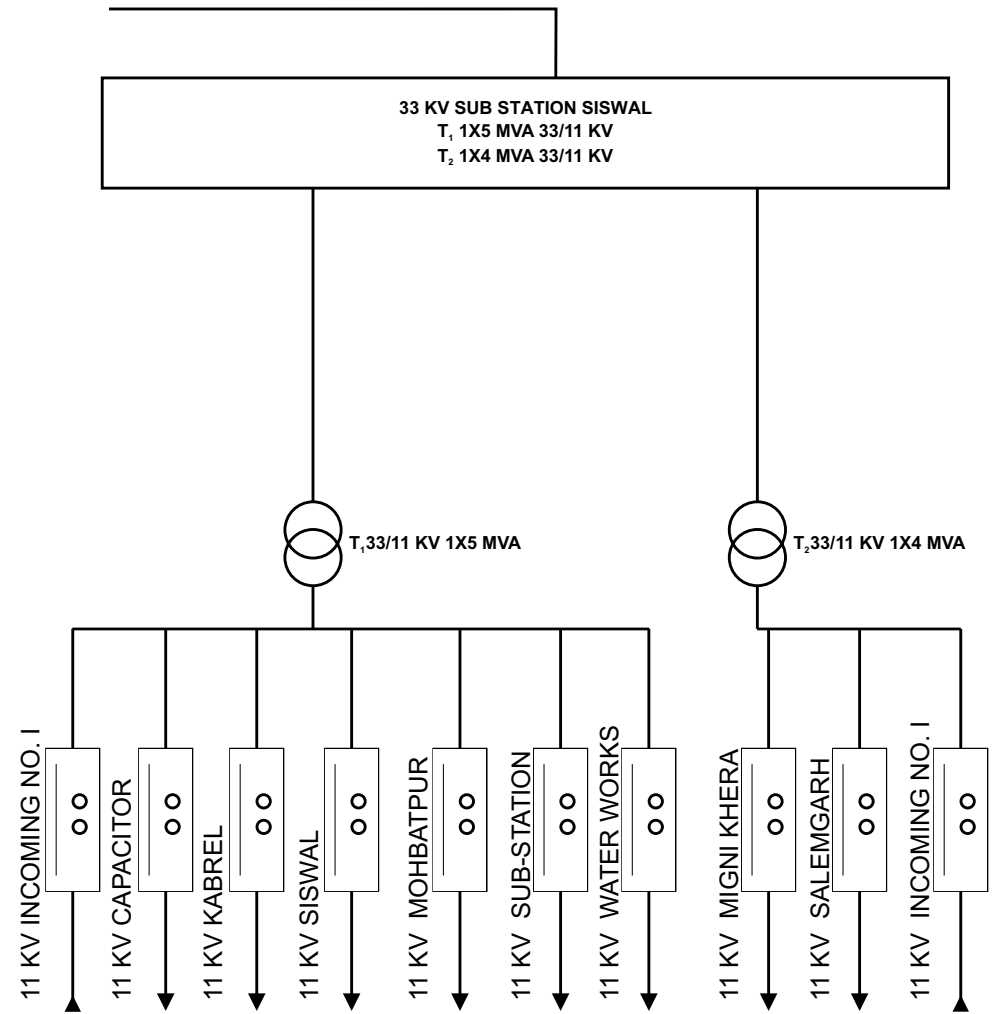
# SCHEMATIC DIAGRAM OF 33KV SUB-STATION BARWALA



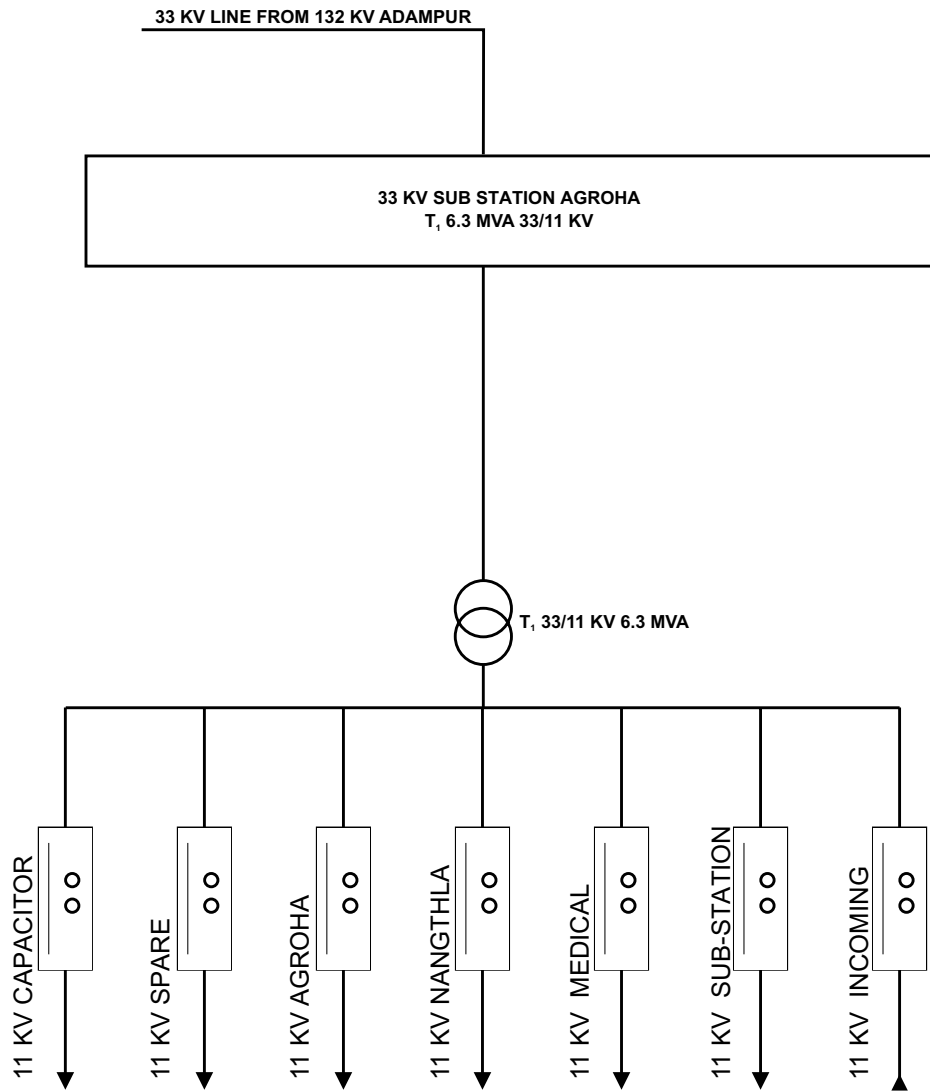
# SCHEMATIC DIAGRAM OF 33KV SUB-STATION ARYA NAGAR



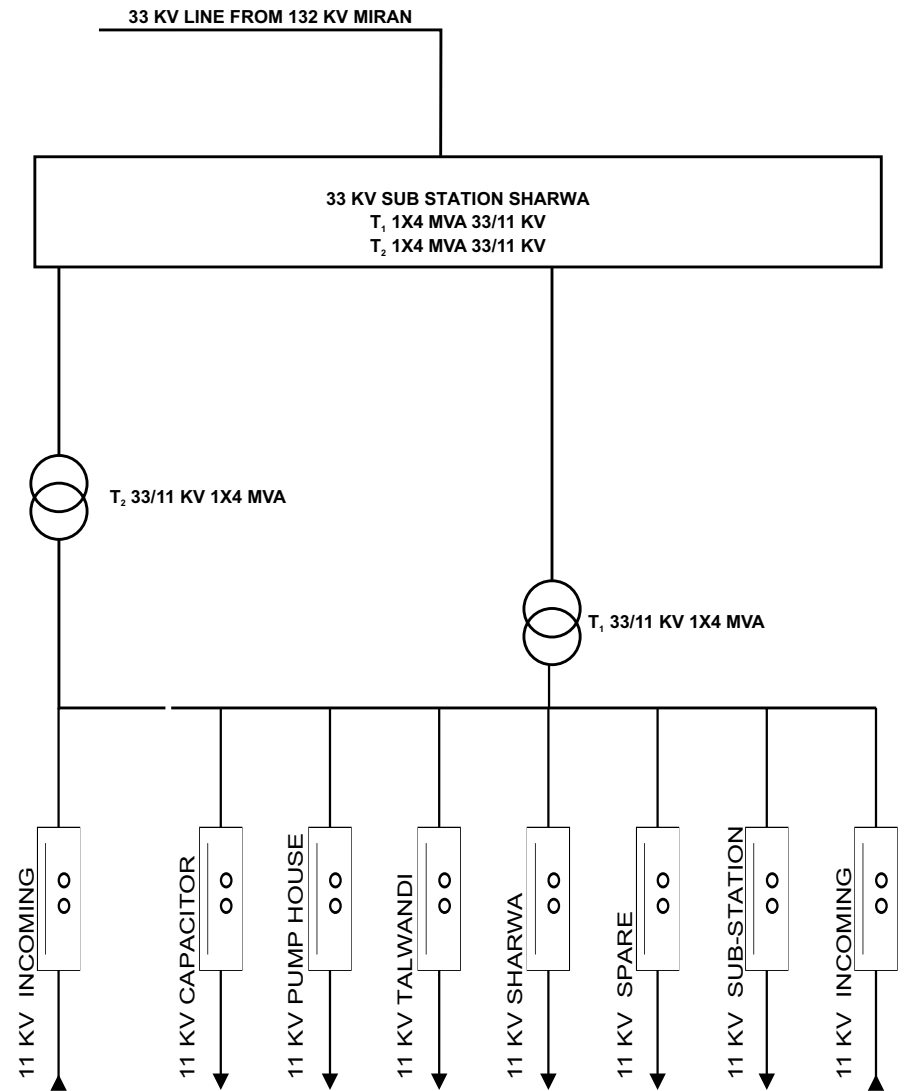
# SCHEMATIC DIAGRAM OF 33KV SUB-STATION SISWAL



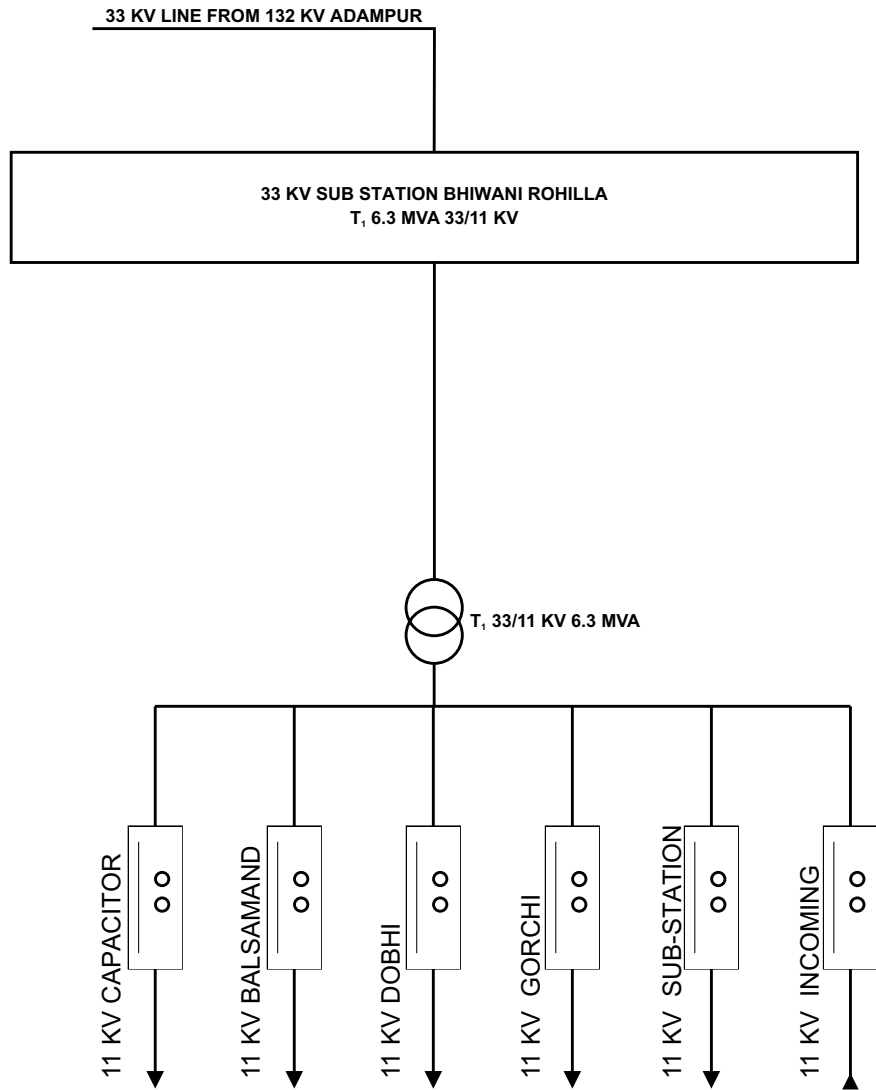
# SCHEMATIC DIAGRAM OF 33KV SUB-STATION AGROHA



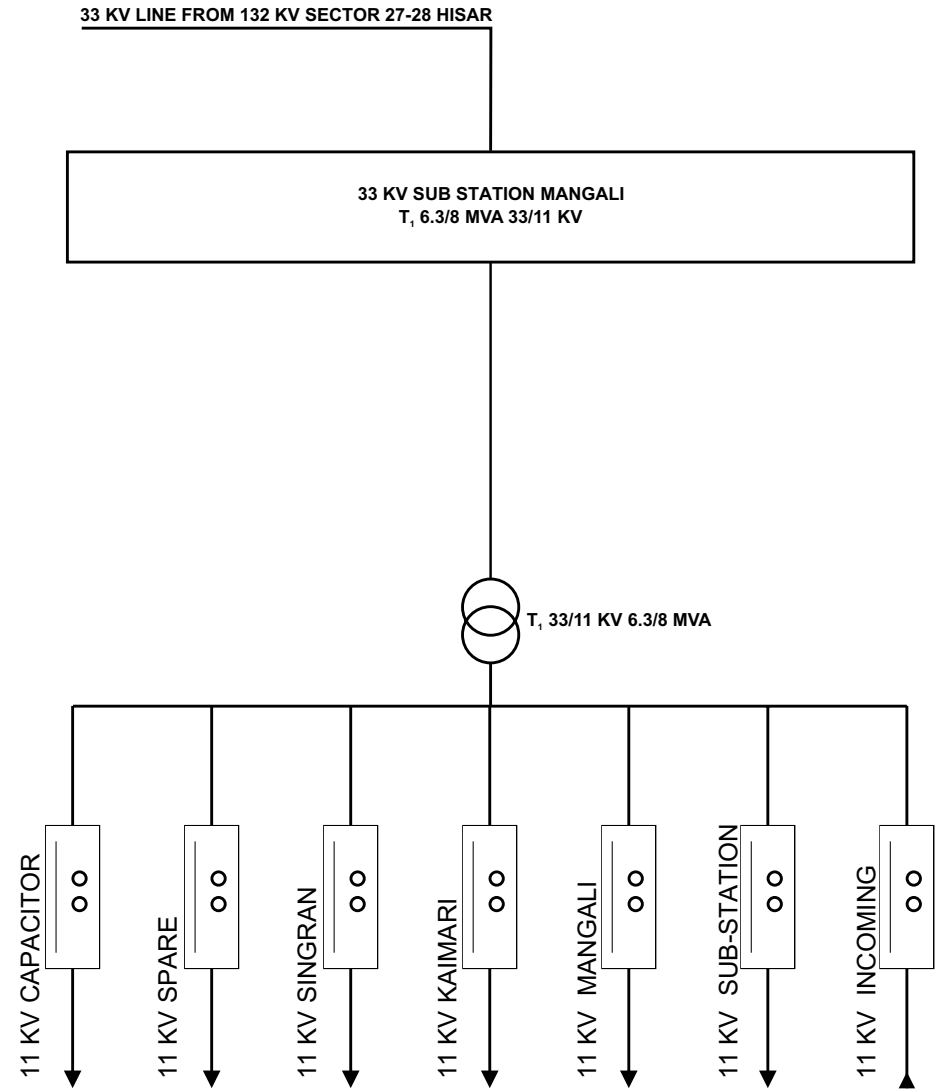
# SCHEMATIC DIAGRAM OF 33KV SUB-STATION SHARWA



# SCHEMATIC DIAGRAM OF 33KV SUB-STATION BHIWANI ROHILLA

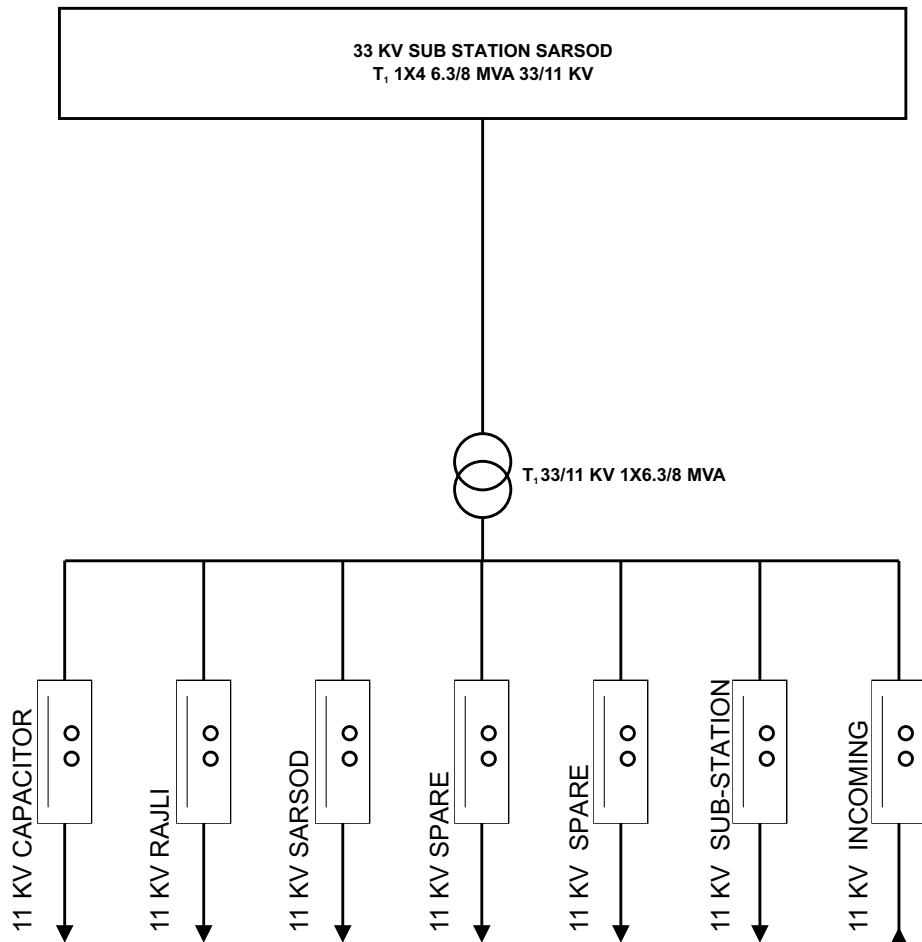


# SCHEMATIC DIAGRAM OF 33KV SUB-STATION MANGALI



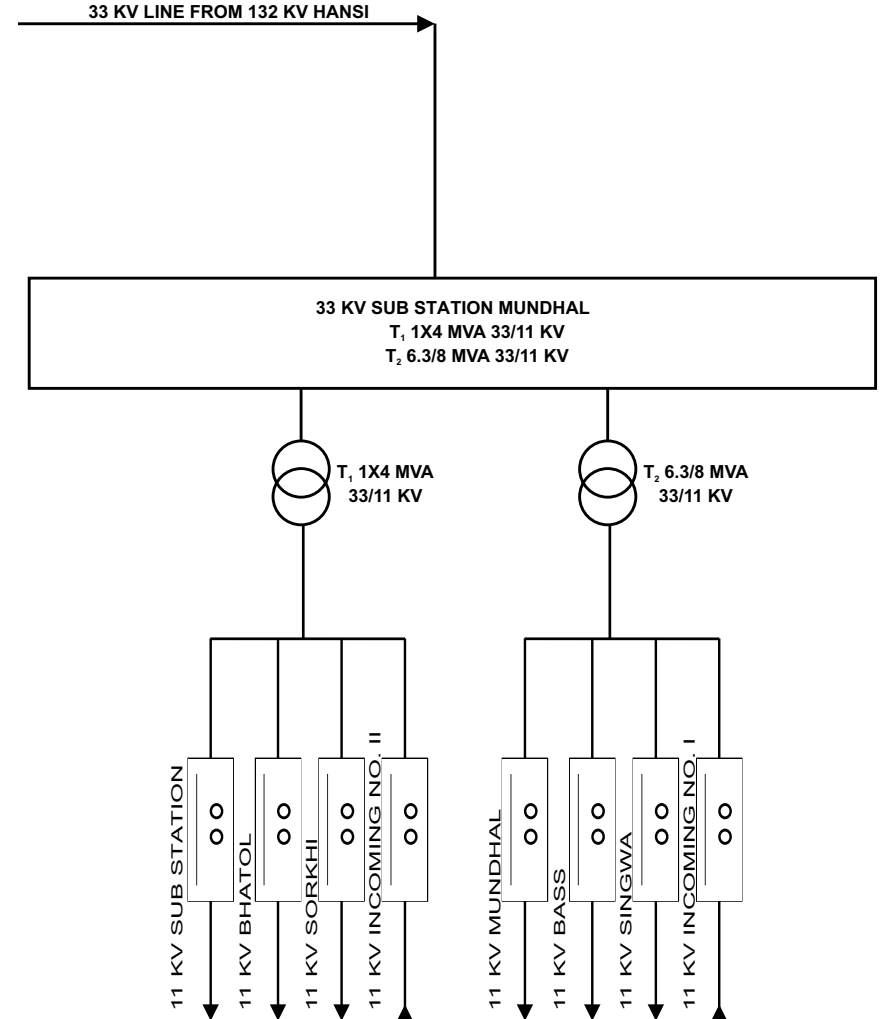
# SCHEMATIC DIAGRAM OF 33KV SUB-STATION SARSOD

33 KV LINE FROM 132 KV HISAR BARWALA LINE (T-OFF)

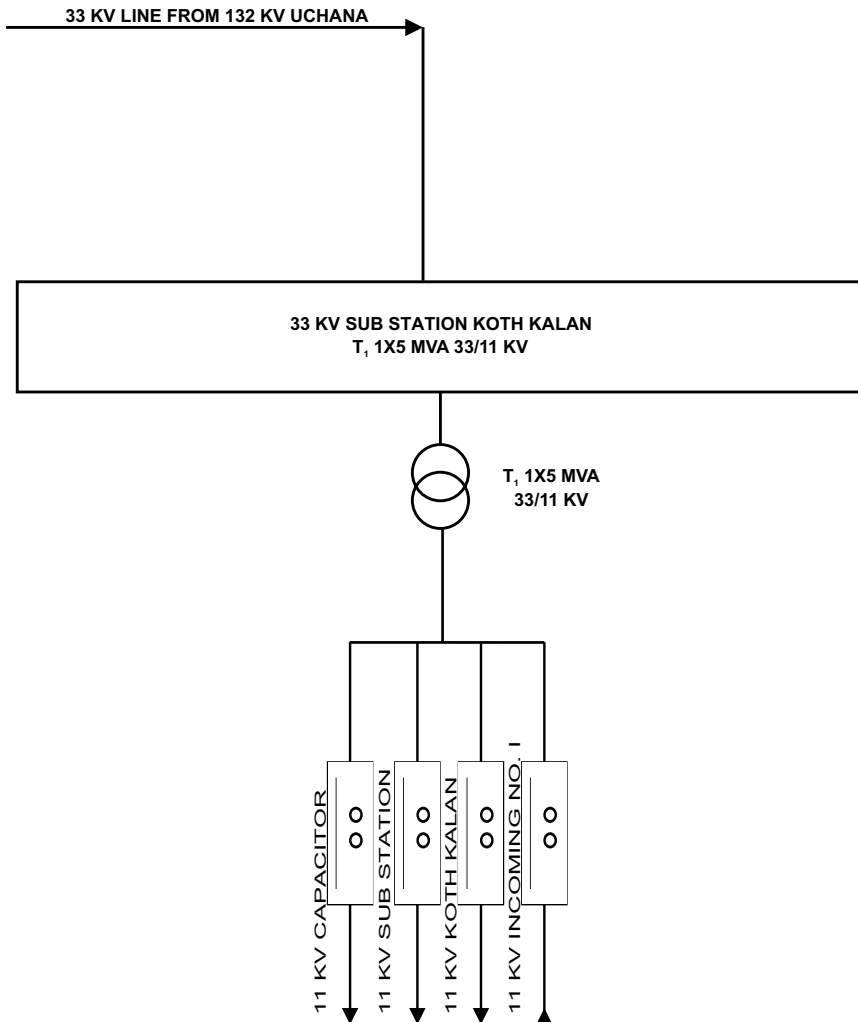


# SCHEMATIC DIAGRAM OF 33KV SUB-STATION MUNDHAL

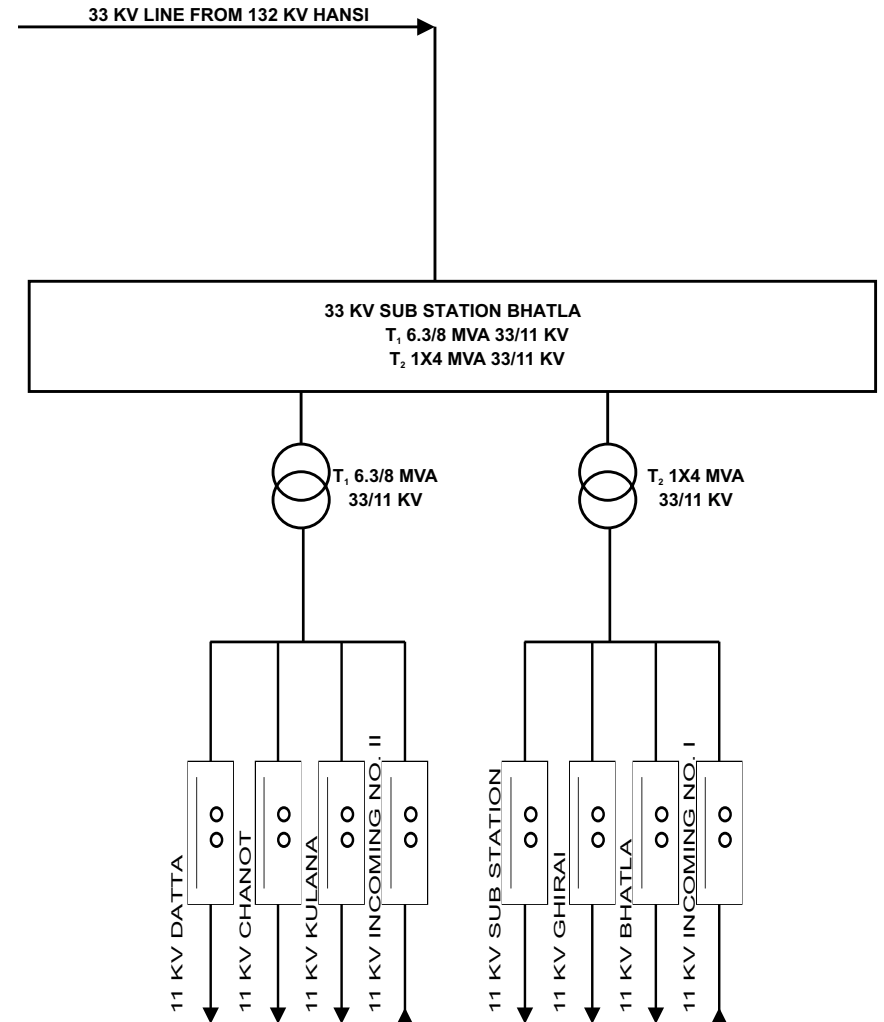
33 KV LINE FROM 132 KV HANSI



# SCHEMATIC DIAGRAM OF 33KV SUB-STATION KOTH KALAN

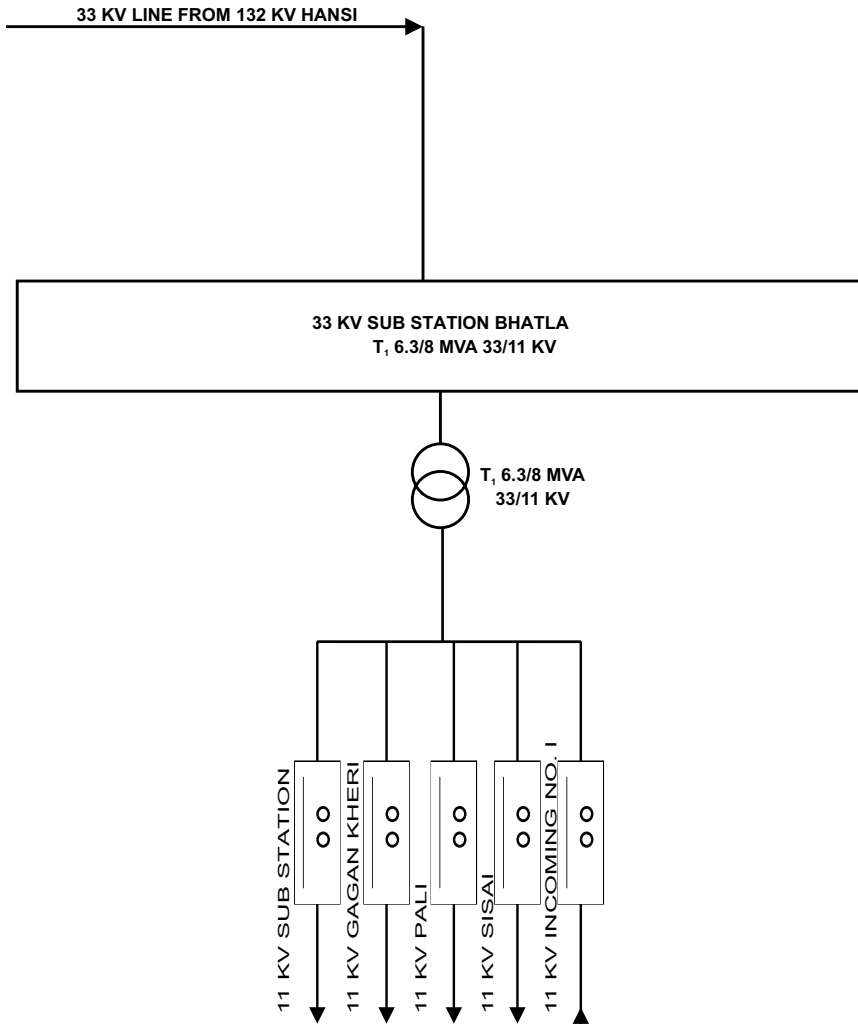


# SCHEMATIC DIAGRAM OF 33KV SUB-STATION BHATLA

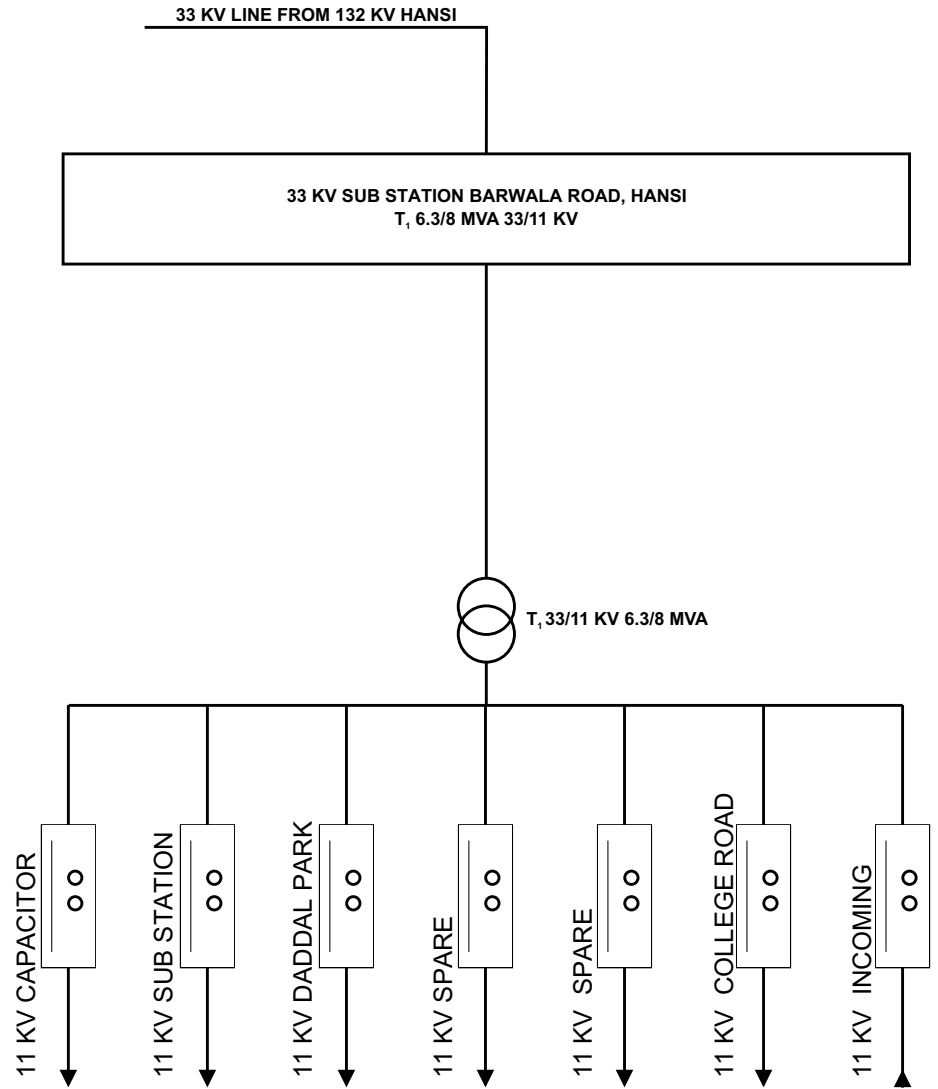




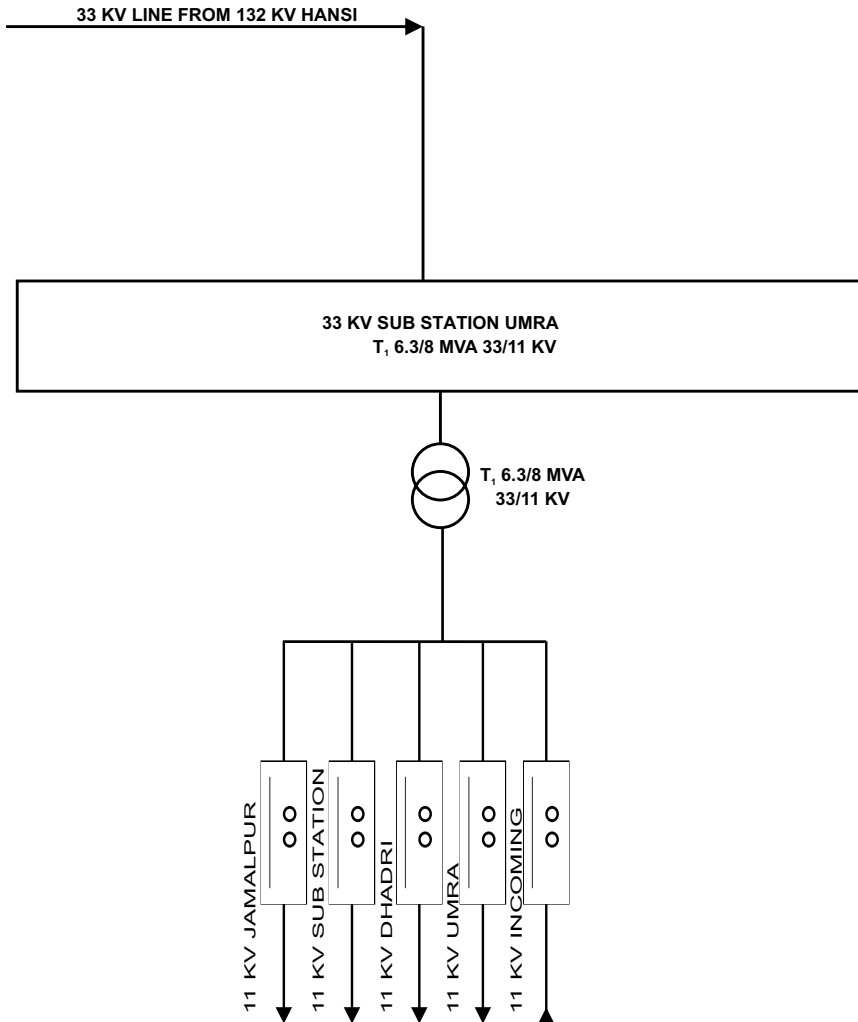
# SCHEMATIC DIAGRAM OF 33KV SUB-STATION SISAI



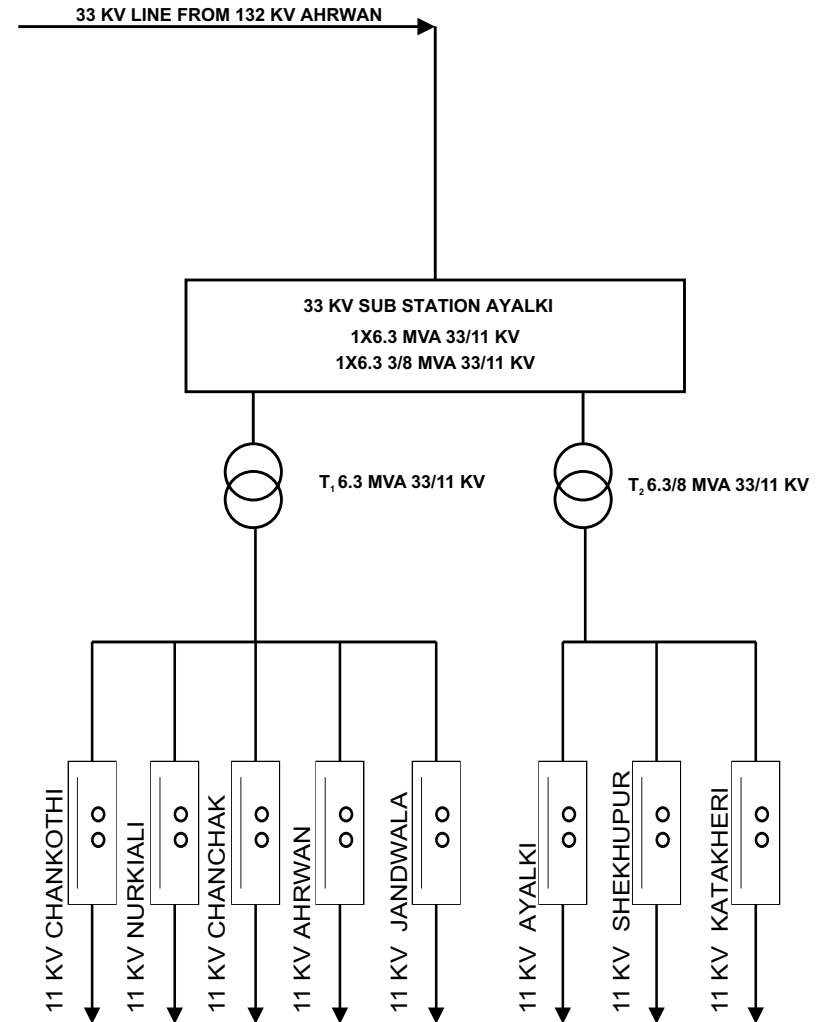
# SCHEMATIC DIAGRAM OF 33KV SUB-STATION BARWALA ROAD, HANSI



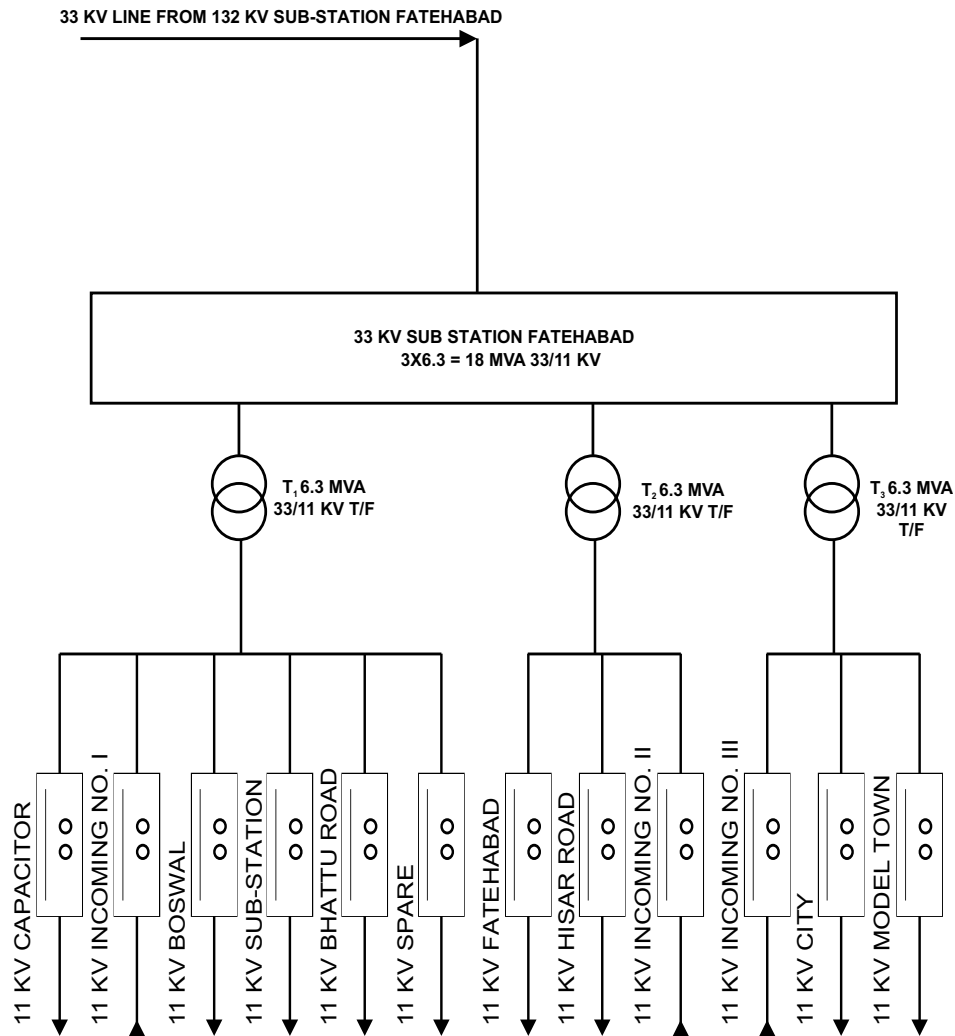
# SCHEMATIC DIAGRAM OF 33KV SUB-STATION UMRA



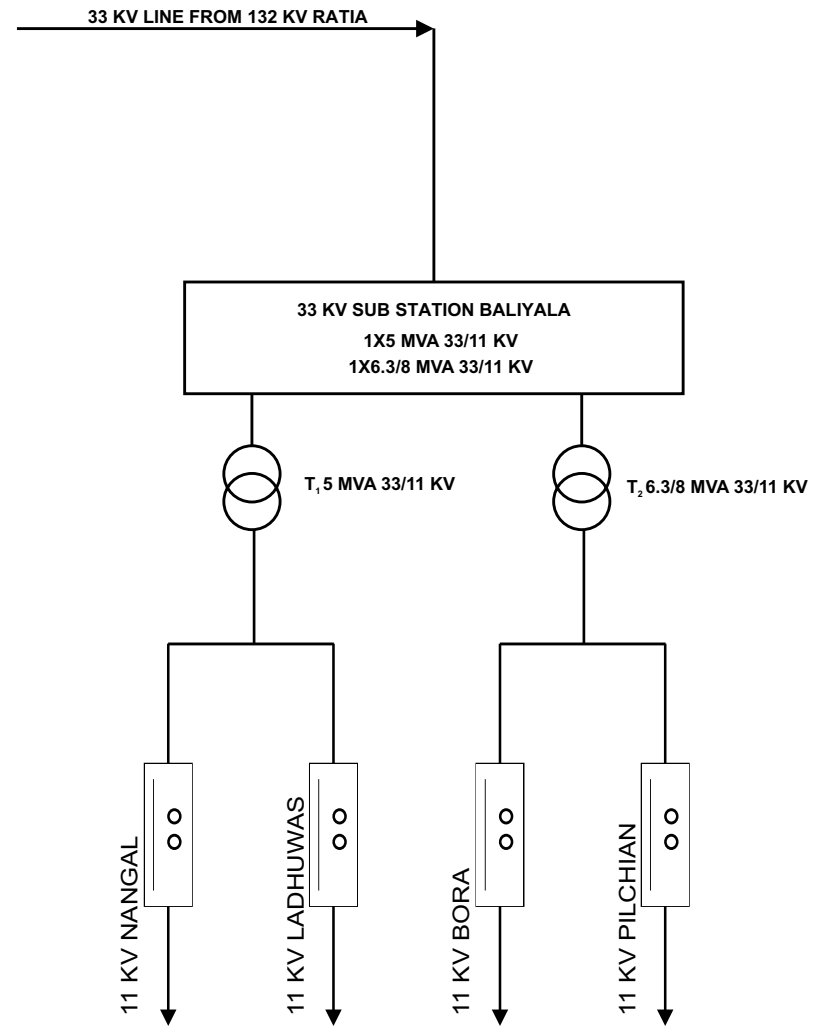
# SCHEMATIC DIAGRAM OF 33KV SUB-STATION AYALKI



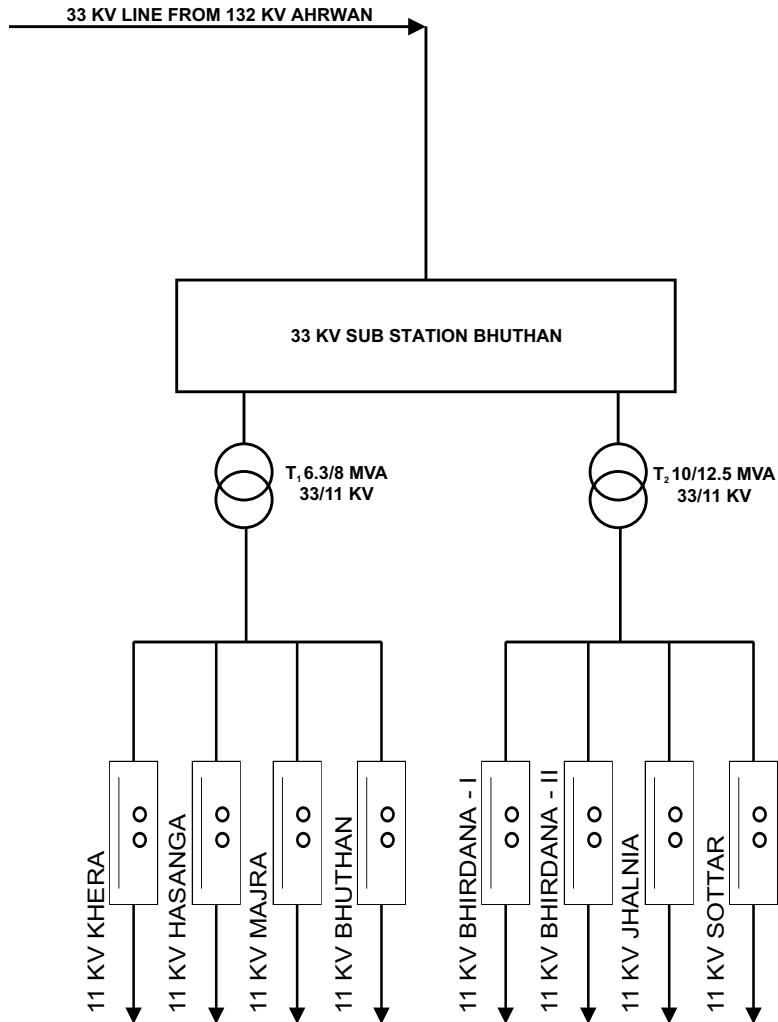
# SCHEMATIC DIAGRAM OF 33KV SUB-STATION FATEHABAD



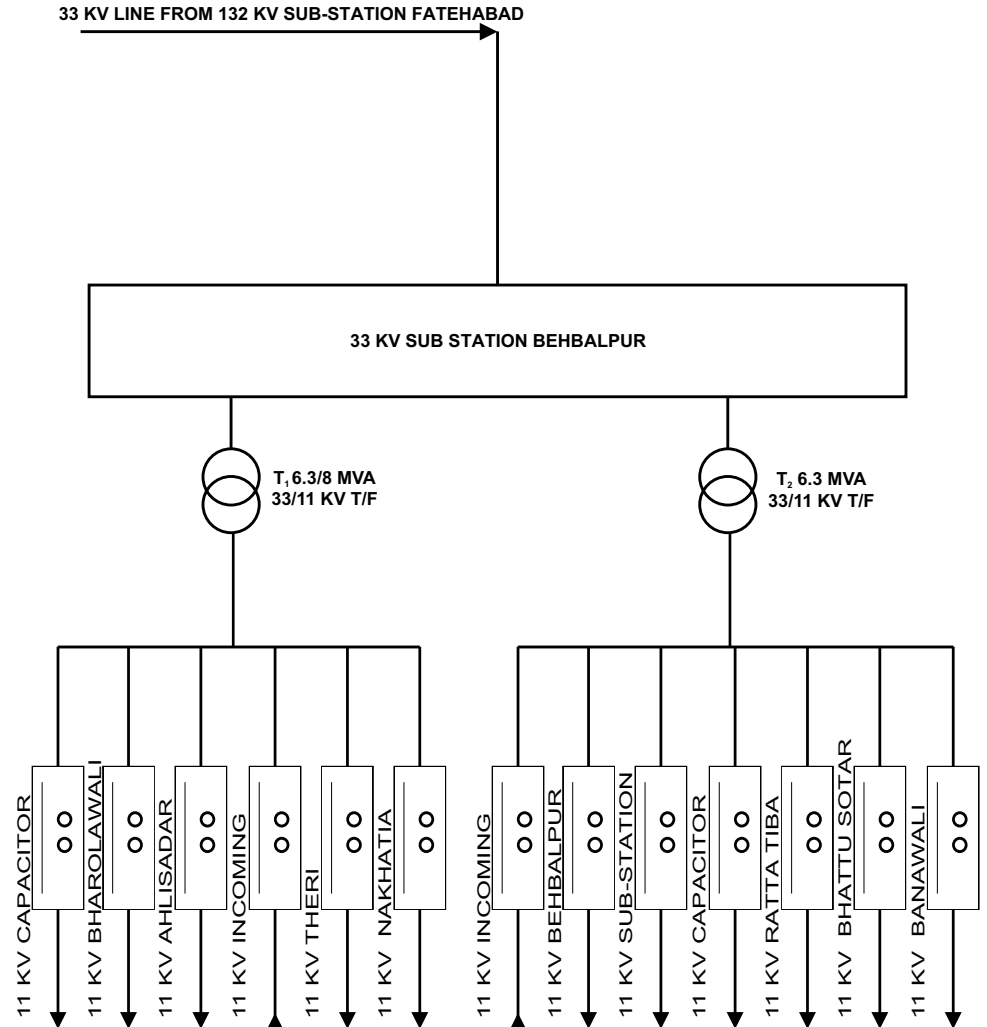
# SCHEMATIC DIAGRAM OF 33KV SUB-STATION BALIYALA



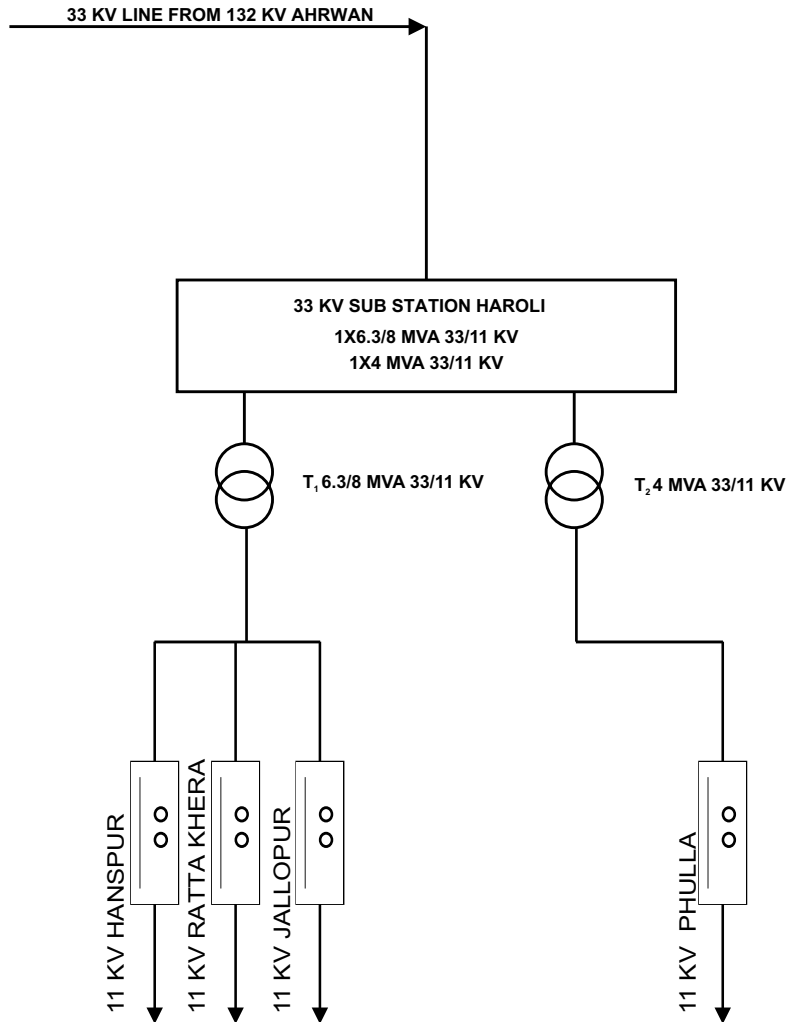
# SCHEMATIC DIAGRAM OF 33KV SUB-STATION BHUTHAN



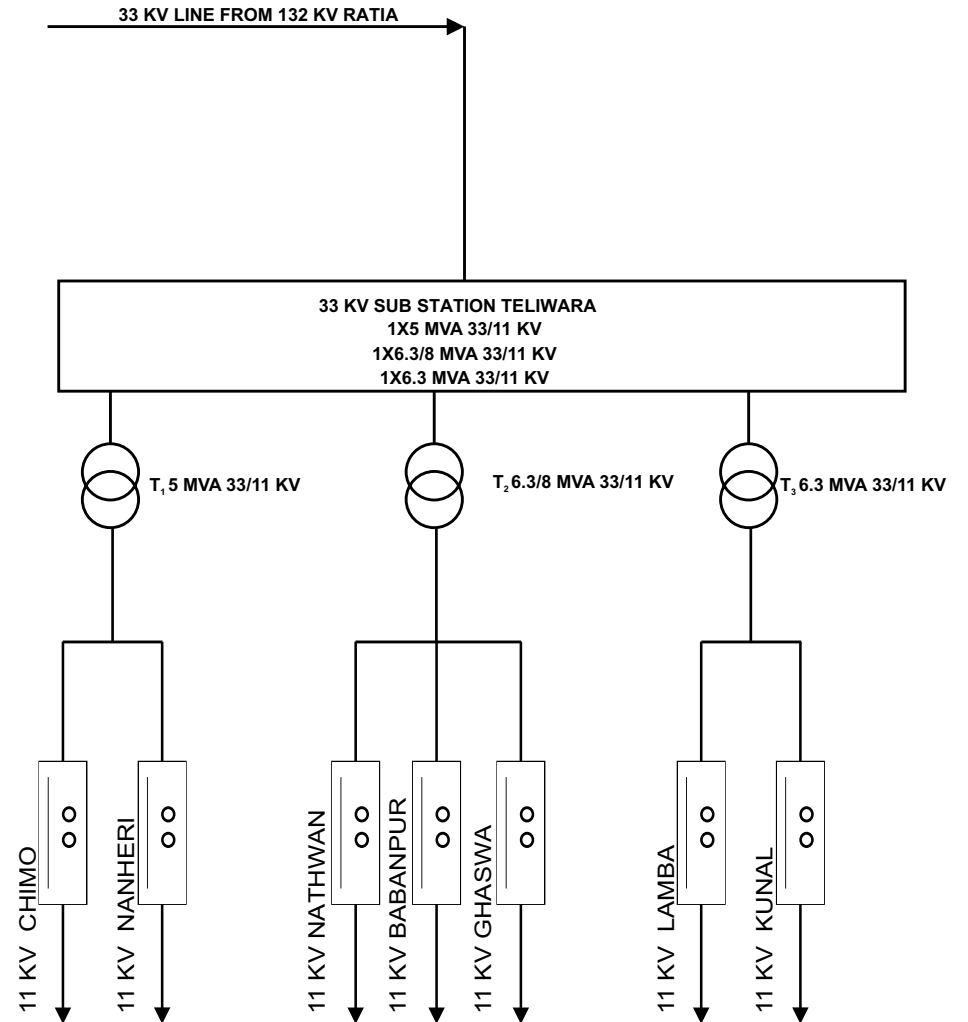
# SCHEMATIC DIAGRAM OF 33KV SUB-STATION BEHBALPUR



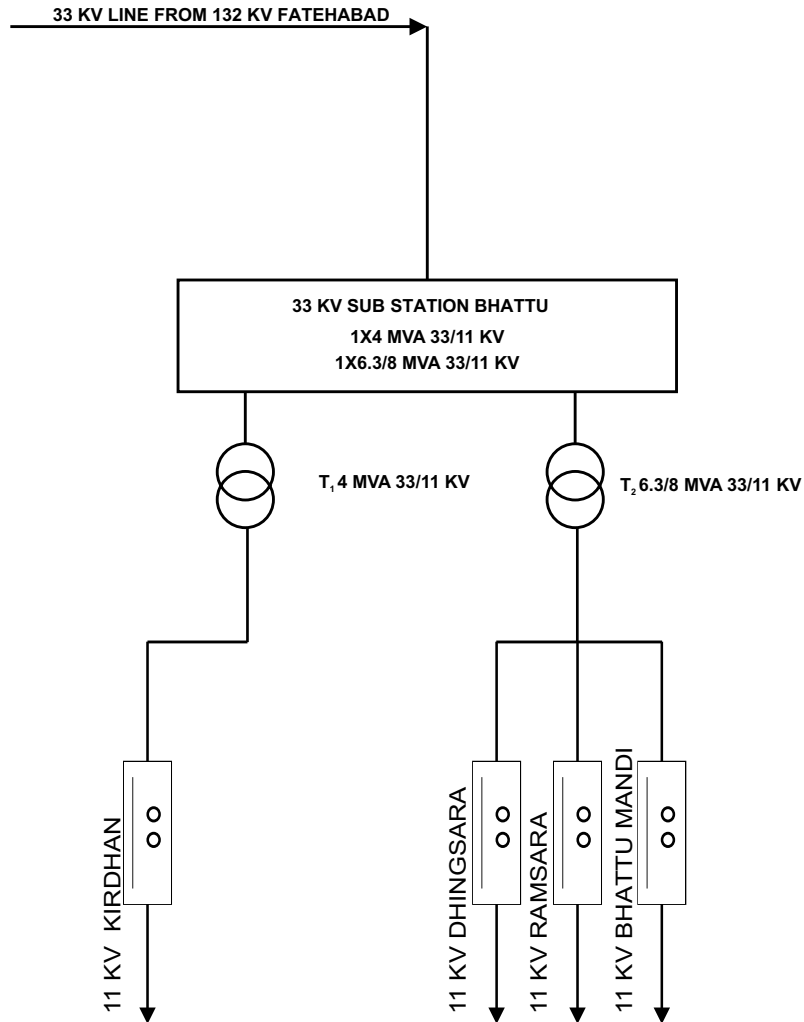
# SCHEMATIC DIAGRAM OF 33KV SUB-STATION HAROLI



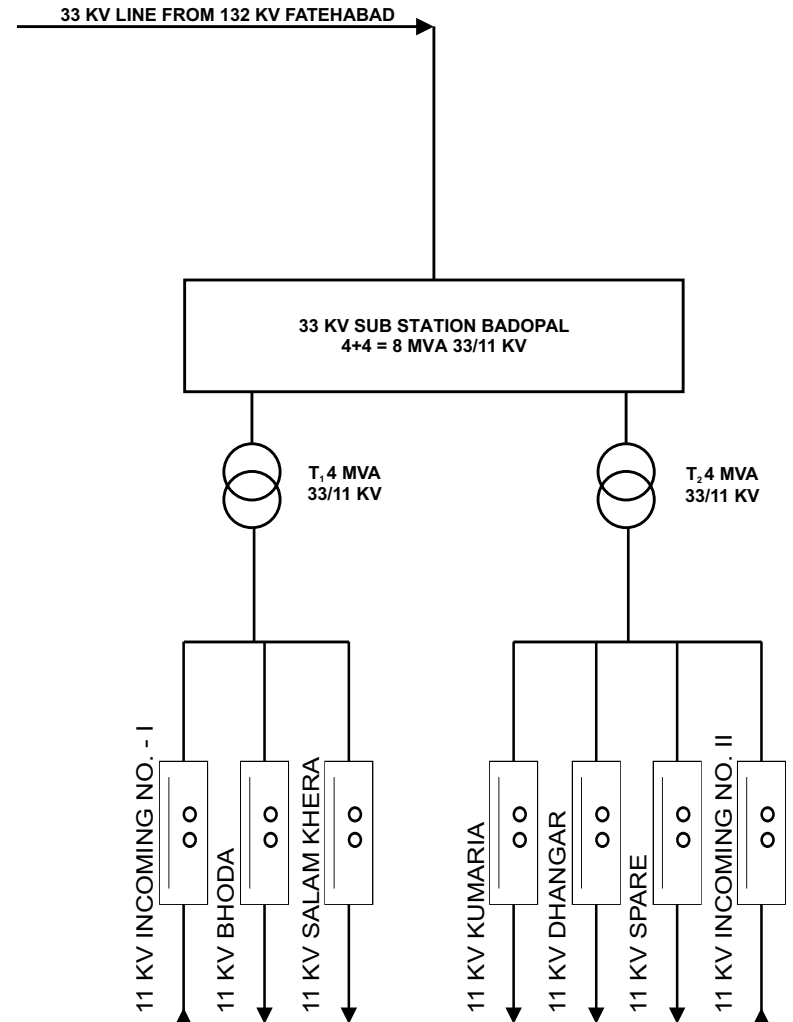
# SCHEMATIC DIAGRAM OF 33KV SUB-STATION TELIWARA



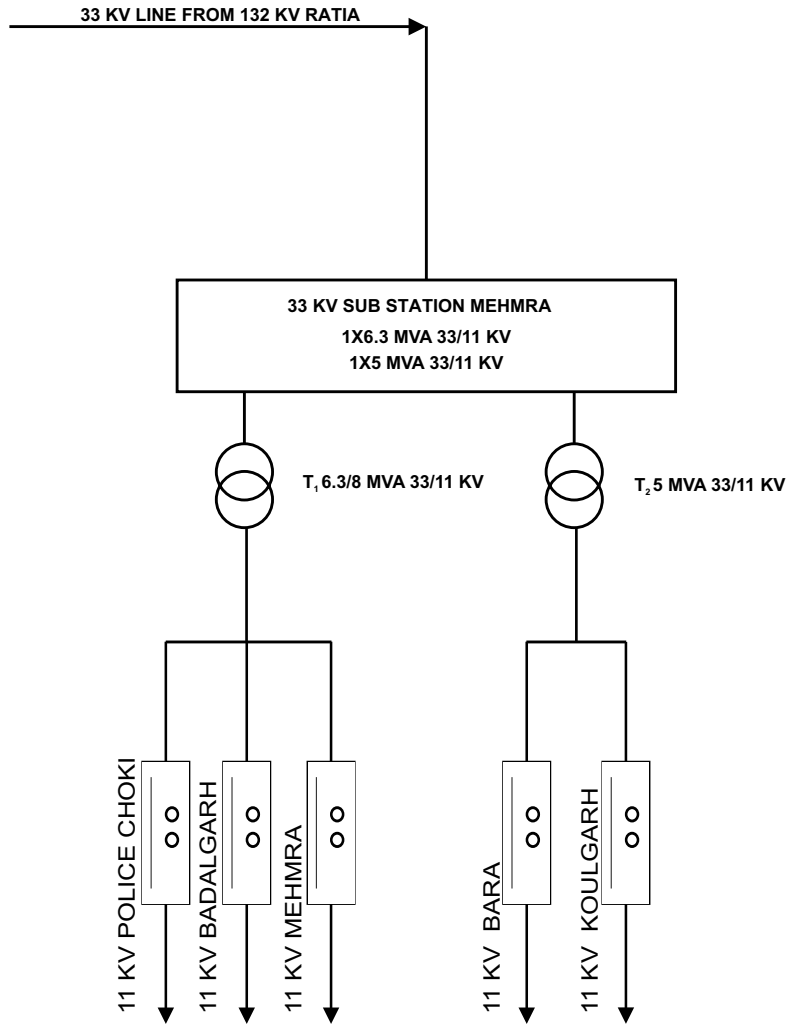
# SCHEMATIC DIAGRAM OF 33KV SUB-STATION BHATTU



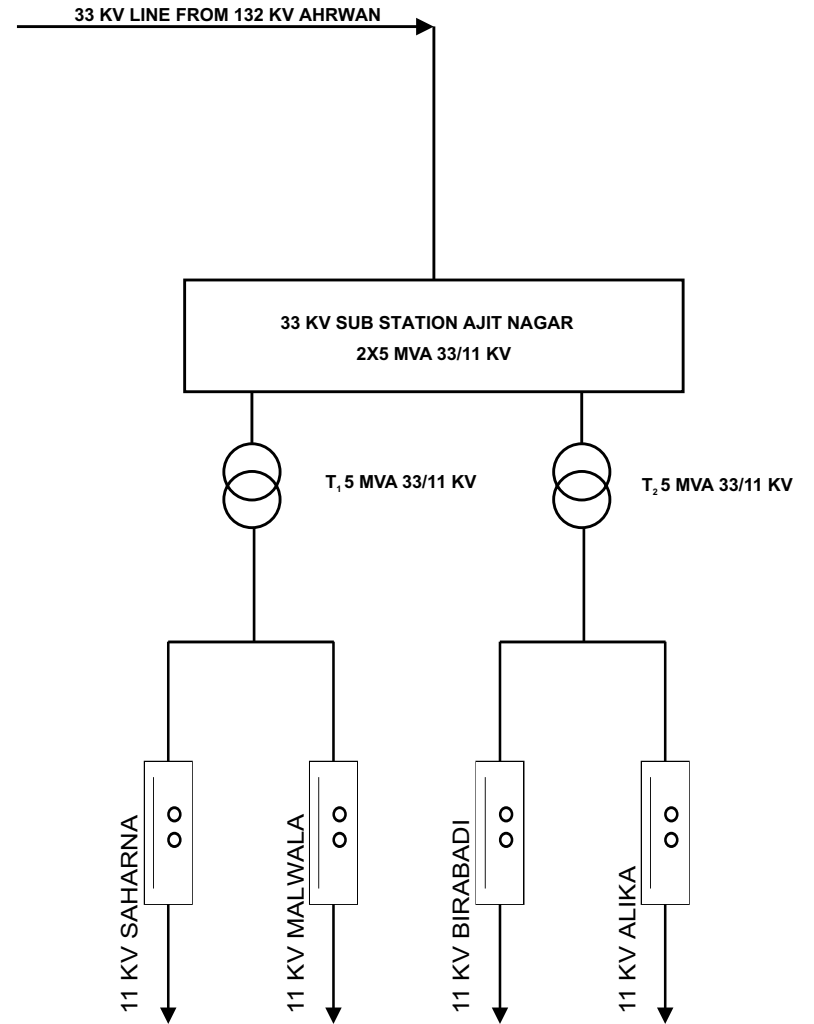
# SCHEMATIC DIAGRAM OF 33KV SUB-STATION BADOPAL



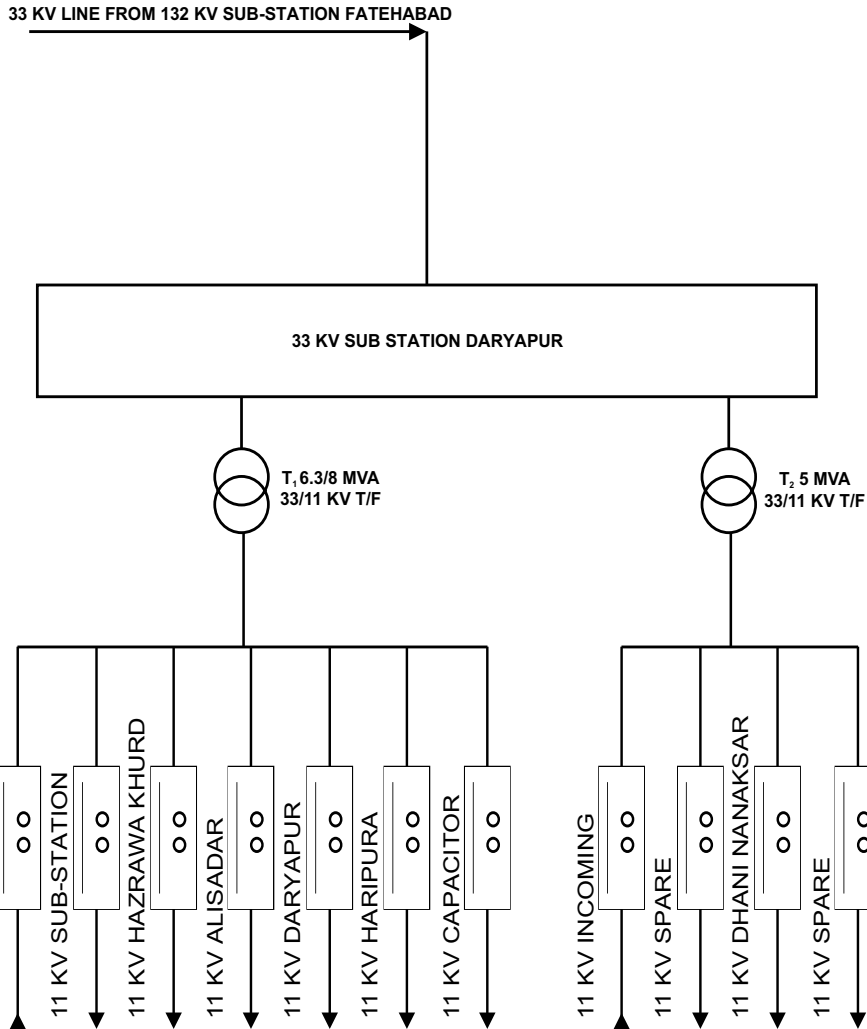
# SCHEMATIC DIAGRAM OF 33KV SUB-STATION MEHMRA



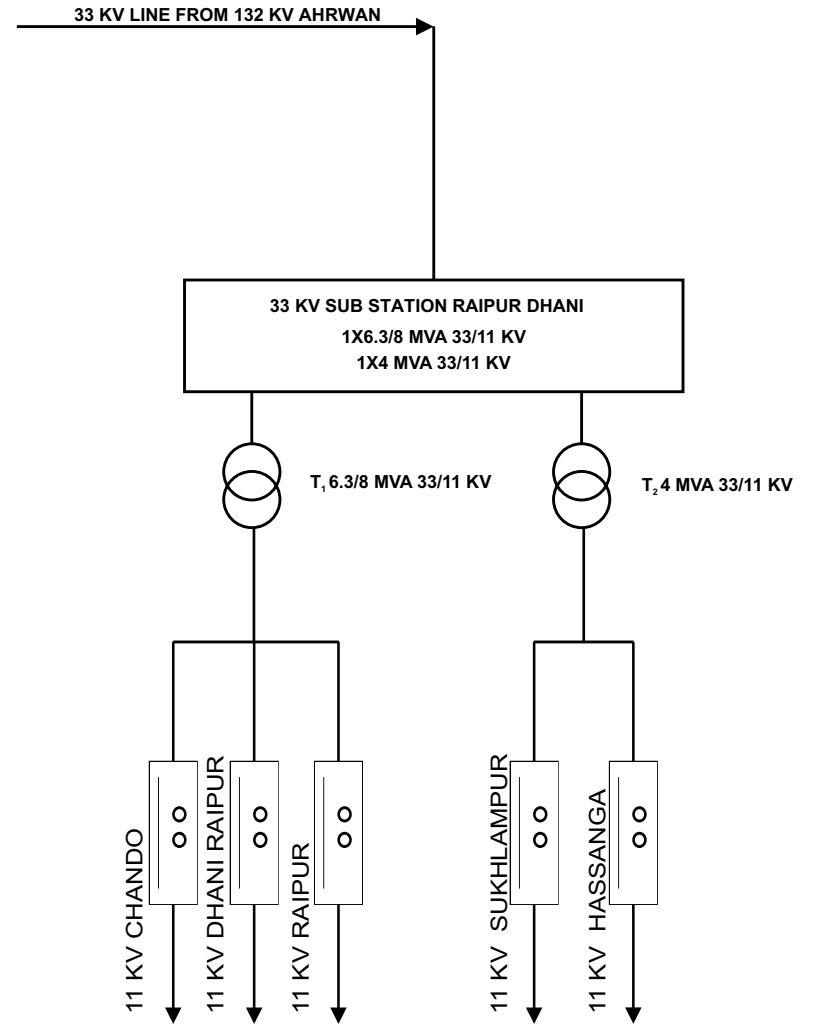
# SCHEMATIC DIAGRAM OF 33KV SUB-STATION AJIT NAGAR



# SCHEMATIC DIAGRAM OF 33KV SUB-STATION DARYAPUR

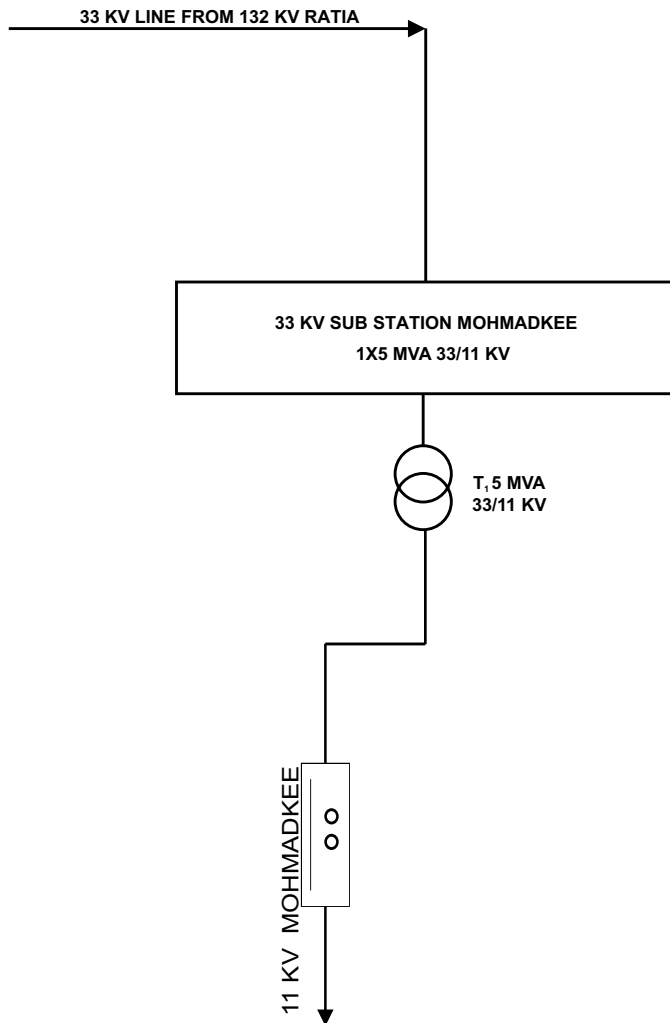


# SCHEMATIC DIAGRAM OF 33KV SUB-STATION RAIPUR DHANI

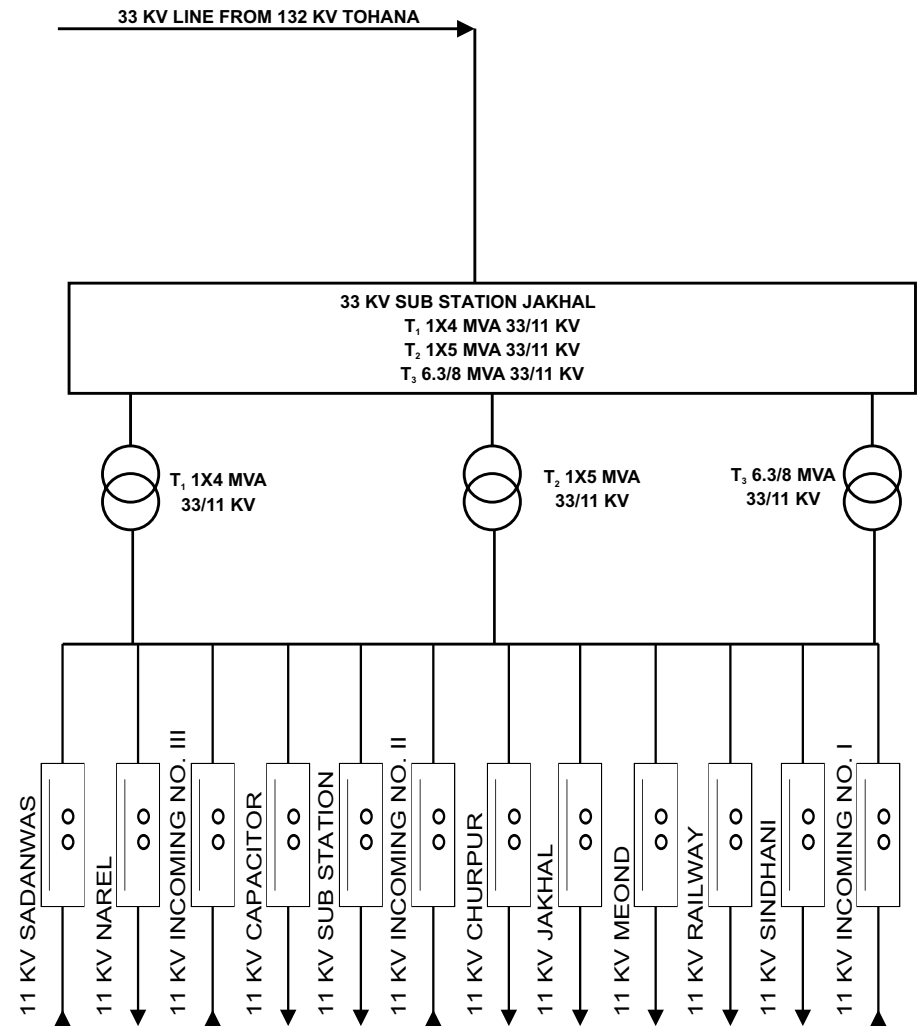




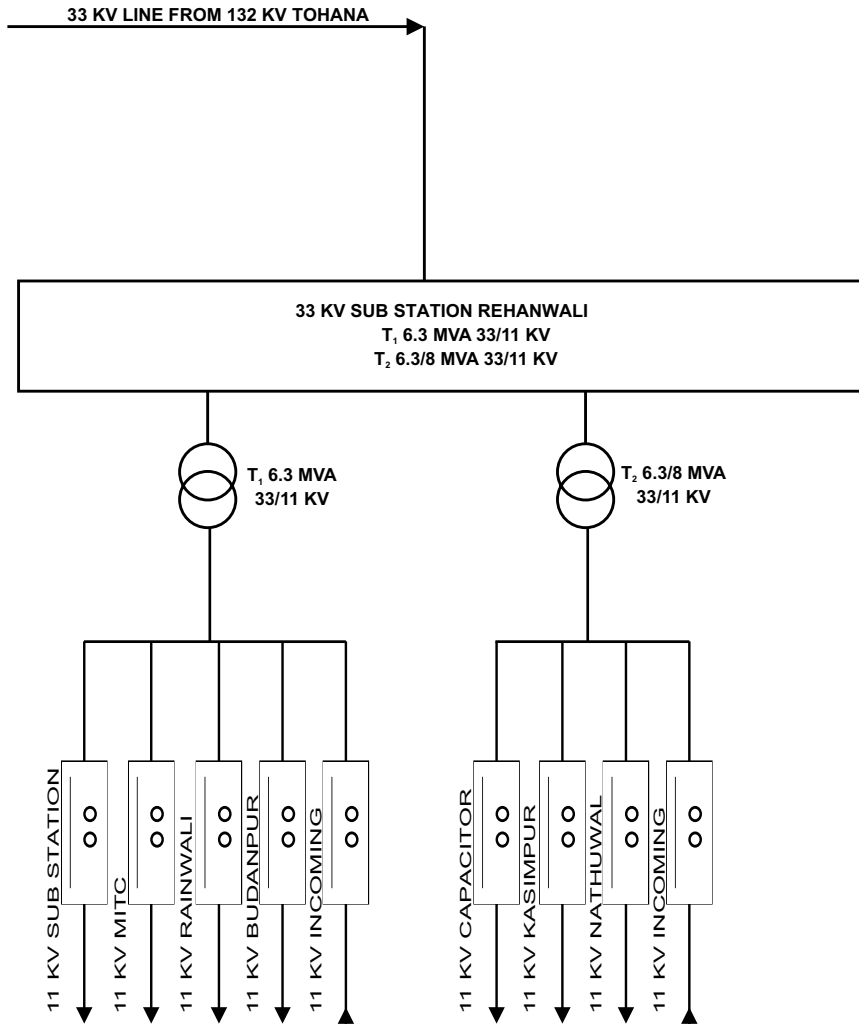
# SCHEMATIC DIAGRAM OF 33KV SUB-STATION MOHMADKEE



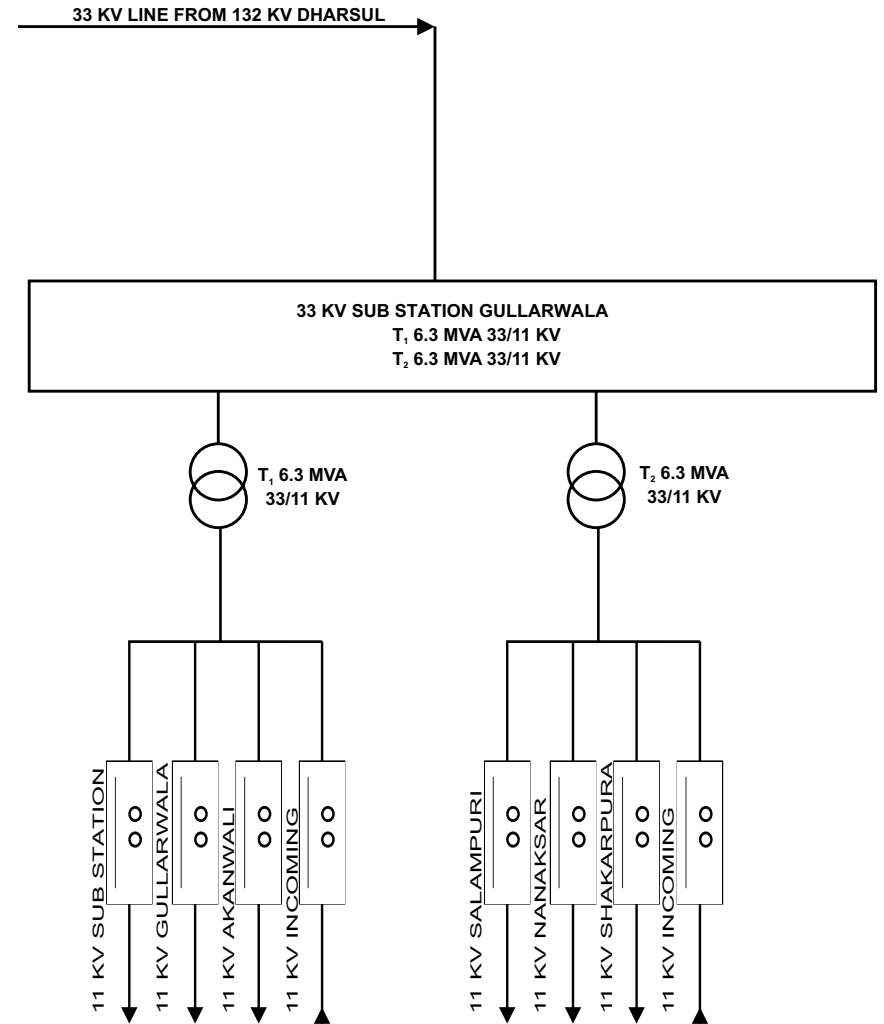
# SCHEMATIC DIAGRAM OF 33KV SUB-STATION JAKHAL



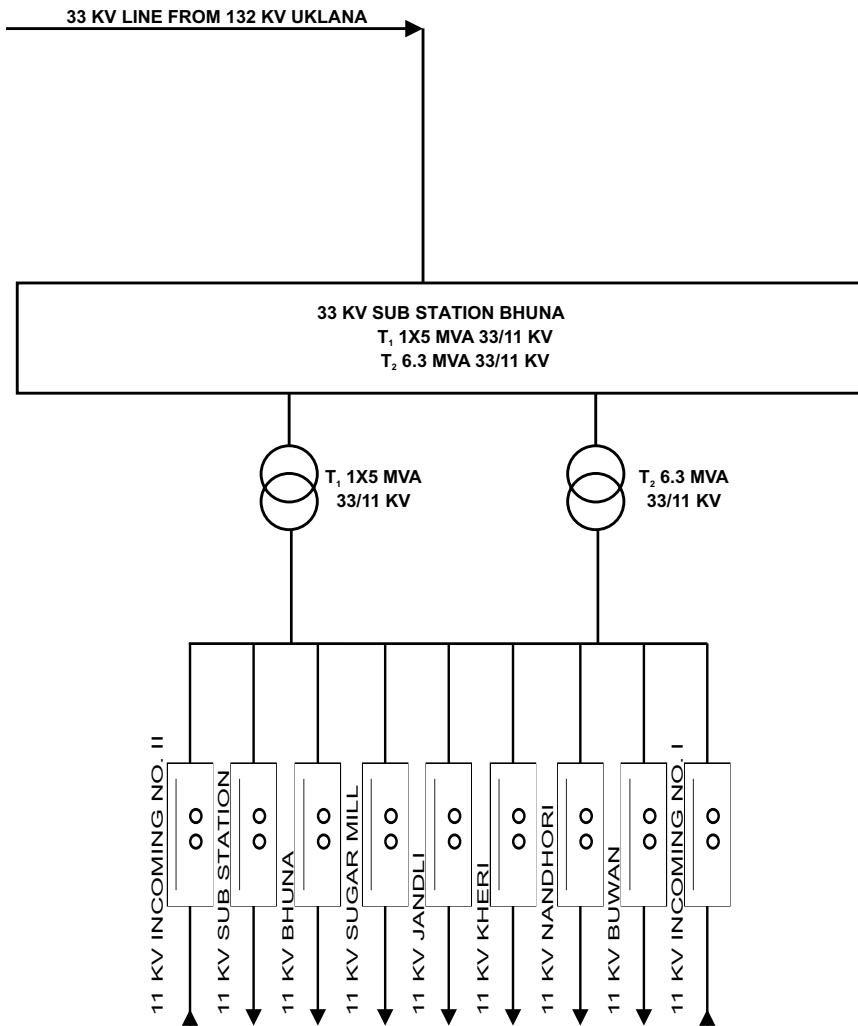
# SCHEMATIC DIAGRAM OF 33KV SUB-STATION REHANWALI



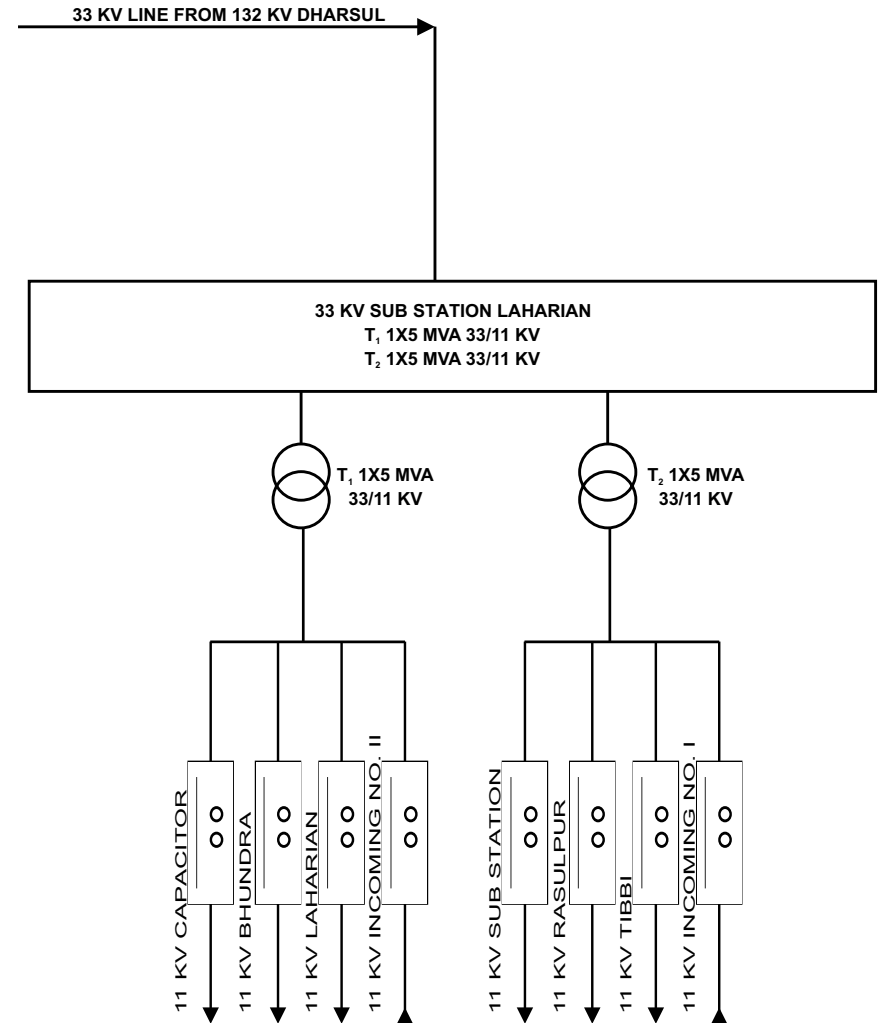
# SCHEMATIC DIAGRAM OF 33KV SUB-STATION GULLARWALA



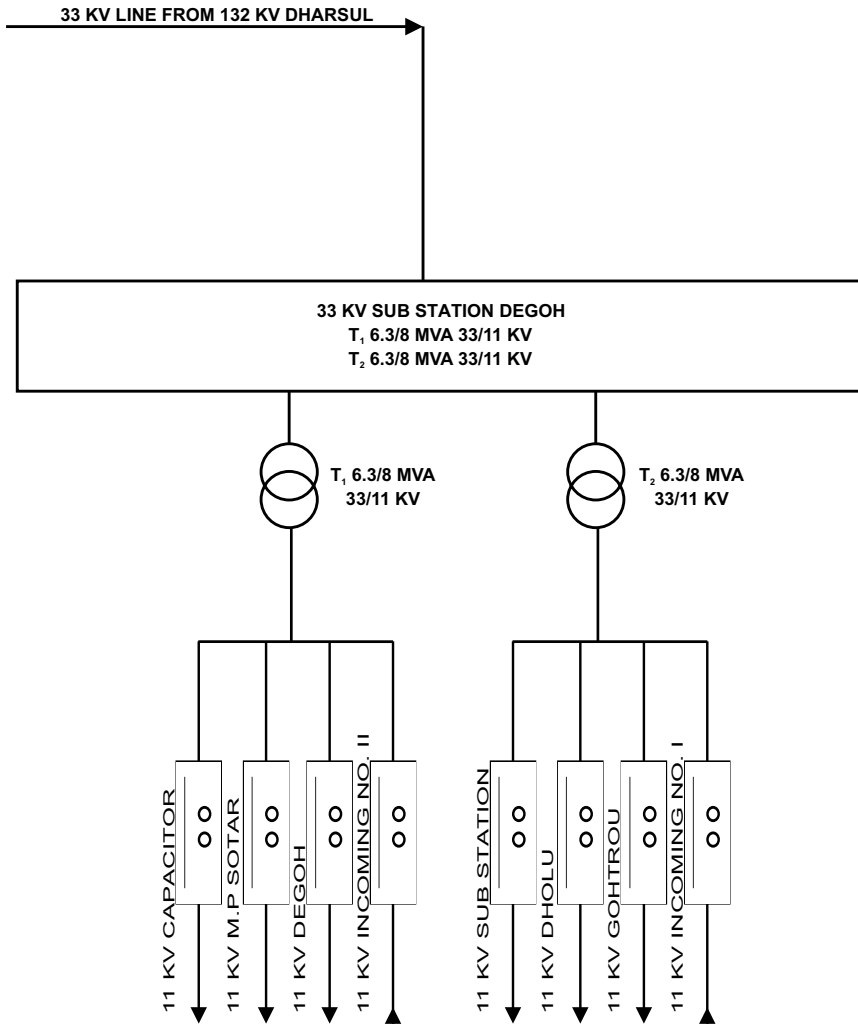
# SCHEMATIC DIAGRAM OF 33KV SUB-STATION BHUNA



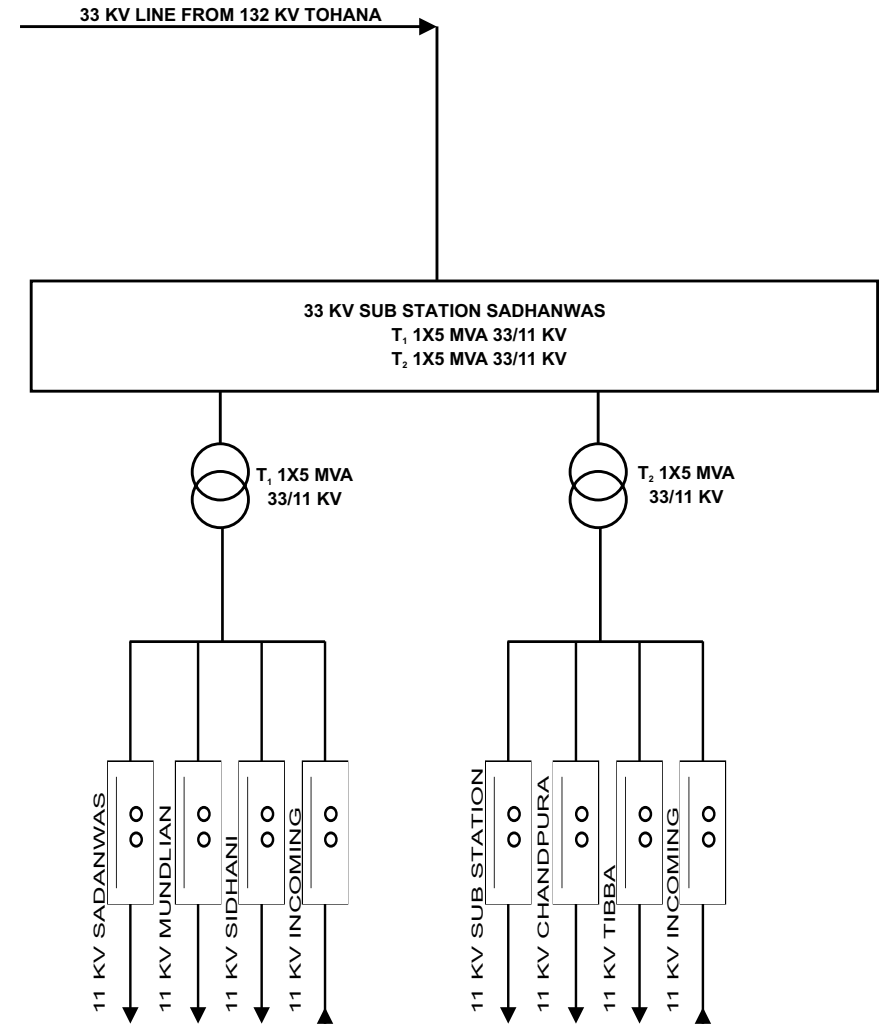
# SCHEMATIC DIAGRAM OF 33KV SUB-STATION LAHARIAN



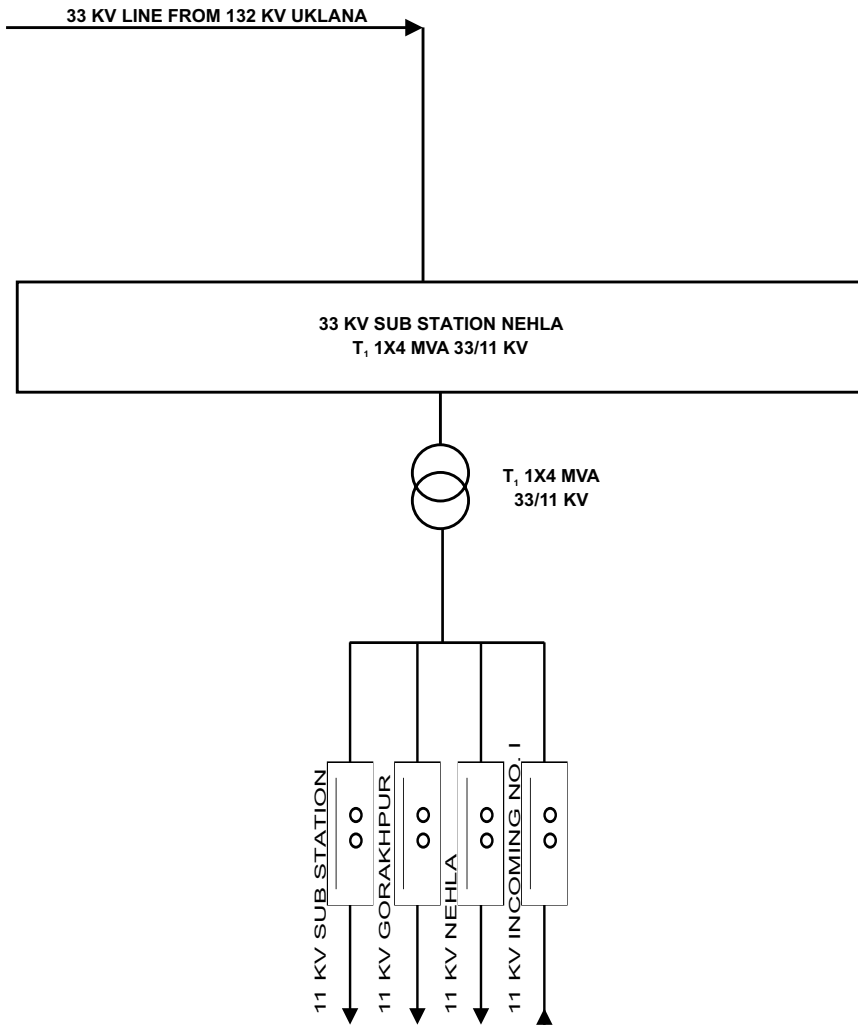
# SCHEMATIC DIAGRAM OF 33KV SUB-STATION DEGOH



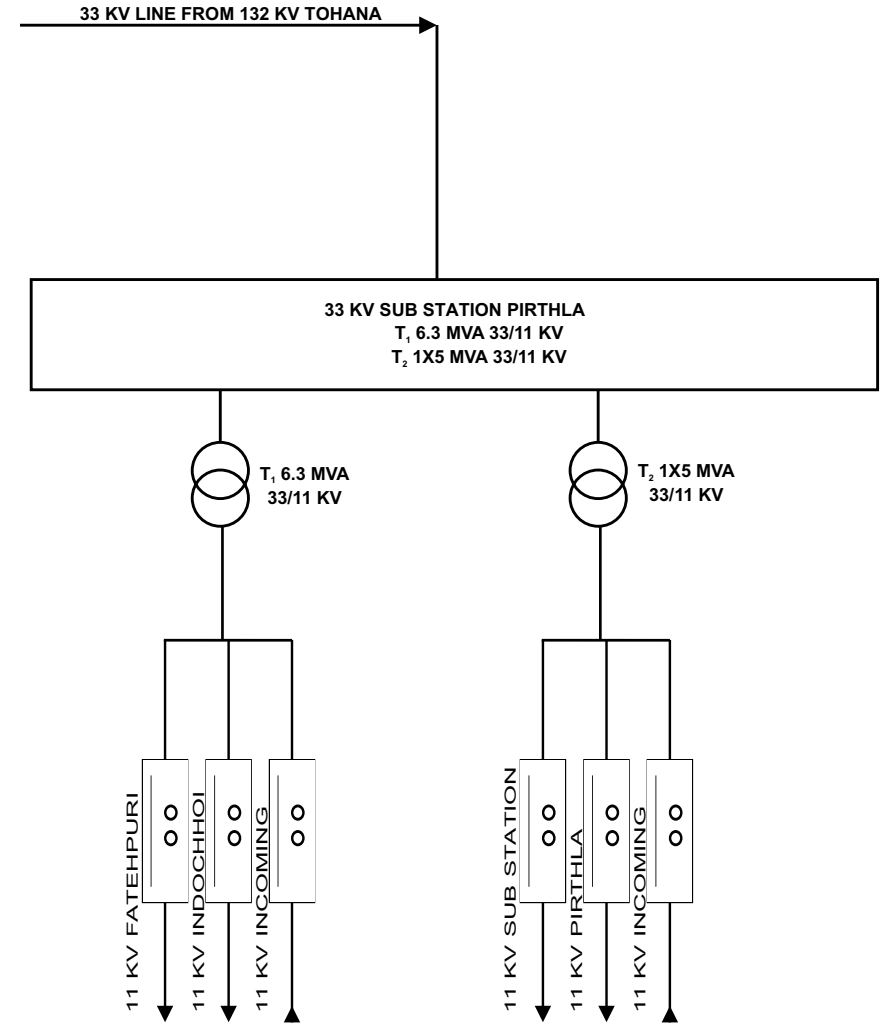
# SCHEMATIC DIAGRAM OF 33KV SUB-STATION SADHANWAS



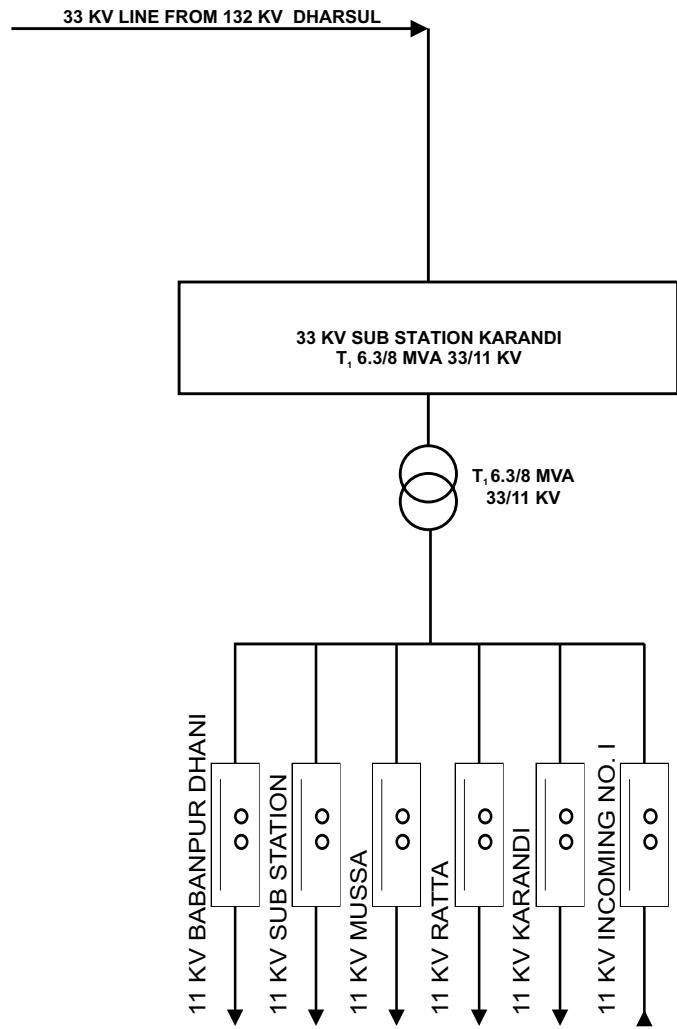
# SCHEMATIC DIAGRAM OF 33KV SUB-STATION NEHLA



# SCHEMATIC DIAGRAM OF 33KV SUB-STATION PIRTHLA



# SCHEMATIC DIAGRAM OF 33KV SUB-STATION KARANDI



9

## IMPORTANT TELEPHONE NO. OF DHBVN ADMINISTRATION OF CIRCLE HISAR

Sr. No.	Name of the Officers	Code	Office	Residence	Mobile
	<b>Er. R.A. Bansal, S.E.</b>	<b>1662</b>	<b>232629</b>	<b>221428</b>	<b>9812221710</b>
	<b>Xen (OP) Divn. No.1 Hisar</b>				
1	<b>Er. K.K. Sharma, Xen</b>	1662	237853	220520	9812221711
2	Er. R.K. Gembhir, SDO City, Hisar	1662	237882	237480	9812221719
3	Er. Krishan Saroop SDO Civil Line, Hisar	1662	237548	248281	9812600418
4	Er. F.R.Nakvi Customer Care Centre, Hisar	1662	232586		9812221724
	<b>Xen (OP) Divn. No.II Hisar</b>				
1	<b>Er. C.B.Gaba, Xen</b>	1662	234324		9812452598
	Er. A.K. Bhanot, SDO (OP) S/D Satrod	1662	220074	236369	9812452599
	Er.K.S. Pannu, SDO (OP) S/D Barwala	1693	242064	242094	9812452616
	Er. S.P.Bhatia, SDO (OP) S/D Adampur	1669	242268	242052	9812452607
	Sh. JE-I S/O Balsamand	1662	264427		9812452627
	Sh. JE-I S/O Agroha	1669	281138	220030	9812452623
	<b>Xen (OP) Divn. Hansi</b>				
	<b>Er. Anil Goyal, Xen</b>	1663	254142	254045	9812201236
	Er. C.S. Jakher SDO City S/Divn., Hansi	1663	254048	258153	9812201237
	Er. SDO S/U Hansi	1663	259200	254318	9812452645
	Er. Anupam Katiar SDO (OP) S/D NND	1663	233223	233231	9812452631
	Er. R.S. Malik SDO (OP) S/D Mundhal	1254	235232	254183	9812452638
	Er. Parveen Arora, JE-I S/Office Umra	1663	289238		9812452661
	Er. JE-I S/Office Sisai	1663	232354	250005	9812452663
	<b>Xen (OP) Divn. Fatehabad</b>				
	<b>Er. Jaipal Singh, Xen</b>	1667	220070	220119	9812201244
	Er. O.P. Bishnoi City S/Divn. Fatehabad	1667	220088	224091	9812201245
	Er. R.S. Malik SDO S/Divn F/Bad	1667	220988	220644	9812452676
	Er. I.S. Mor City S/Divn., Ratia	1697	250036	250284	9812452682
	Er.R.S. Dhanda SDO (OP) S/U Ratia	1697	250283	250043	9812452690
	Er. Dalbir Singh SDO (OP) S/D Bhattu	1667	252235	252257	9812452695
	Er. Kitab Singh JE-I Badopal	1667	285244	223351	9812452699
	<b>Xen (OP) Divn. Tohana</b>				
	<b>Er. A.K. Virdhi, Xen</b>	1692	220060	220393	9812452702
	Er. Brish Bhan SDO (OP) City S/D Tohana	1692	230030	230468	9812452703
	Er. R.K.Sabarwal, SDO S/U Tohana	1692	230467	220850	9812452708
	Er. Shamsher Singh SDO Uklana	1693	233079	233063	9812452713
	Er. Prem Singh Sodi, SDO (OP) S/Divn., Jakhhal	1692	252240		9812452724
	Er. P.D. Sharma, SDO (OP) S/D Bhuna	1667	242038	242083	9812452719
	<b>Xen/Works</b>				
	<b>Er. K.K. Gupta Xen.</b>	1662	223243		9812452516
	Er. Joginder Singh SDO, Const. Fatehabad				9812452536
	Er. SDO., Const. Hisar				9812556349
	Sh. A.K. Nagpal JE/C				9812556348

## 9 Telephone Numbers of S/Stns

54

S.No.	Name of substation including voltage level	Distt. In which located	Telephone No	
	Name of S/Stn		code	Phone No.
	<b>220 KV S/Stn.</b>			
1	220KV Indl. Area, Hisar.	Hisar	01662-	221049
2	220KV Fatehabad	Fatehabad	01667-	226844
	<b>132 KV S/Stn.</b>			
1	132KV Beer, Hisar	Hisar	01662-	276881
2	132 KV Adampur	Hisar	01669-	242076
3	132KV Hisar Cantt.	Hisar	01662-	220317
4	132KV Poly Steel, Hisar	Hisar	01662-	220049
5	132KV Sec-27/28, Hisar	Hisar	01662-	222861
6	132 KV Hansi	Hisar	01663-	254046
7	132 KV Narnaund	Hisar	01663-	234224
8	132KV Fatehabad	Fatehabad	01667-	220083
9	132KV Ratia	Fatehabad	01697-	250038
10	132KV Ahrawan	Fatehabad	01697-	261196
11	132KV Tohana	Fatehabad	01692-	220063
12	132KV Dharsul	Fatehabad	01692-	244238
13	132KV Uklana	Hisar	01693-	233056
	<b>33 KV S/Stn.</b>			
1	33 KV Rajgarh Road,Hisar	Hisar	01662-	225193
2	33KV Vidyut Nagar Hisar	Hisar	01662-	220285
3	33KV Jindal Metal,Hisar.	Hisar	01662-	220076
			93158-	91660



4	33KV HTM, Hisar.	Hisar	01662-	259147
5	33KV Sec-13,Hisar.	Hisar	01662-	255278
6	33KV Barwala	Hisar	01693-	242038
7	33KV Arya nagar	Hisar	01662-	242038
8	33KV Siswal	Hisar	01669-	256164
9	33KV Agroha	Hisar	01669-	281138
10	33KV Sharwa	Hisar	01662-	282043
11	33KV Bhiwani Rohillan	Hisar	93158-	91664
12	33KV Mangali	Hisar	93158-	91652
13	33KV Sarsod	Hisar	01693-	259164
14	33KV Mundhal	Hisar	93158-	91662
15	33KV Koth Kalan	Hisar	93158-	91661
16	33KV Bhatla	Hisar	93158-	91658
17	33KV Sisai	Hisar	01663-	232354
18	33KV Barwala- Road Hansi	Hisar	01663-	250861
19	33KV Umra	Hisar	93158-	91654
20	33KV Ayalki	Hisar	93158-	91629
21	33kv Fatehabad	Fatehabad	93158-	91636
22	33KV Baliyala	Fatehabad	93158-	91628
23	33KV Bhuthan	Fatehabad	93158-	91632
24	33KV Behbalpur	Fatehabad	93158-	91631
25	33KV Haroli	Fatehabad	93158-	91638
26	33KV Teliwara	Fatehabad	93158-	91645
27	33KV Bhattu	Fatehabad	93158-	91633
28	33KV Badopal	Fatehabad	93158-	91630
29	33KV Mehmara	Fatehabad	93158-	91641
30	33KV Ajit Nagar/Ganda	Fatehabad	93158-	91646
31	33KV Daryapur	Fatehabad	93158-	91647
32	33KV Dhani Raipur	Fatehabad	93158-	91653
33	33KV Mohmadkee	Fatehabad		
34	33KV Jakhal	Fatehabad	01692-	252220

35	33KV Rainwali	Fatehabad	01692-	260391
36	33KV Gulharwala	Fatehabad	01692-	283280
37	33KV Bhuna	Fatehabad	01667-	242238
38	33KV Lehrian	Fatehabad	01667-	247266
39	33KV Degoh	Fatehabad	01667-	244238
40	33KV Sadanwas	Fatehabad	01692-	286467
41	33KV Nehla	Fatehabad	93158-	91642
42	33KV Pirthla	Fatehabad	01692-	240788
		Fatehabad		
43	33KV Karandi	Fatehabad	01692-	260859

**LIST OF TELEPHONE OF S/Stn. in OP Divn., DHBVN, Tohana**

Name of S/Stn.	Name of S/Divn.	Code No.	Tel. NO.
33 KV Rainwali	SU/Sub. Divn. Tohana	1692	260391
33 KV Karandi	SU/Sub. Divn. Tohana	1692	260859
33 KV Gulerwala	SU/Sub. Divn. Tohana	1692	283280
33 KV Jakhal	OP/Sub. Divn. Jakhal	1692	252220
33 KV Sadhanwas	OP/Sub. Divn. Jakhal	1692	286467
33 KV Pirhala	OP/Sub. Divn. Uklana	1693	260588
33 KV Bhuna	OP/Sub. Divn. Bhuna	1667	242238
33 KV Degoh	OP/Sub. Divn. Bhuna	1667	244238
33 KV Nehla	OP/Sub. Divn. Bhuna	1667	248854
33 KV Lehrian	OP/Sub. Divn. Tohana	1692	283280

**( C ) Transmission Line data**

Sr. No.	Name of S/Stn. With voltage level		Length of line (in KMs)	Voltage in KV	No. of Circuits	Conductor size	Max demand recorded during the year in Amp.	Month in which max demand was recorded
	From	To						
<b>OP Divn. I Hisar</b>								
1	220KV BBMB, Hisar	33KV J.M./R.Road, Hisar	8.700	33KV	Single	0.075Sq"	295	2/07
2	220KV BBMB, Hisar	33KV V.N./R.Road, Hisar	8.800	33KV	Single	0.075Sq"	380	2/07
3	220KV BBMB, Hisar	33KV H.T.M. Hisar	8.000	33KV	Single	0.075Sq"	210	1/07
4	132KV Sec-27/28, Hisar	33KV Sec-13, Hisar/Mangali	25.300	33KV	Single	0.075Sq"	200	1/07

<b>OP Divn. II Hisar</b>								
5	132KV Beer, Hisar	33KV H.T.M. Hisar/AryaNagar	35.000	33KV	Single	0.075Sq"	310	6/06
6	132KV Adampur	33KV Bhiwani-Rohilla/Siswal	28.000	33KV	Single	0.075Sq"	220	1/07
7	132KV Adampur	33KV Agroha	22.000	33KV	Single	0.075Sq"	105	1/07
8	220KV BBMB, Hisar	33KV Sarsod/Barwala	42.500	33KV	Single	0.075Sq"	350	2/07
9	132KV Miran	33KV Sharwa	12.000	33KV	Single	0.075Sq"	300	12/06
10	132KV Hansi	33KV Bhatla/Barwala	38.200	33KV	Single	BCC-5	180	5/06

<b>OP Divn. Hansi</b>								
11	132KV Hansi	33KV Sisai/Mundhal	33.000	33KV	Single	0.075Sq"	280	6/06
12	132KV Hansi	33KV Umra	15.000	33KV	Single	0.075Sq"	110	1/07
13	132KV Kharak	33KV Koth-Kalan	15.000	33KV	Single	0.1Sq"	210	7/06

<b>OP Divn. Fatehabad</b>								
14	132KV Fatehabad	33KV Bhattu	18.000	33KV	Single	0.075Sq"	160	5/06
15	132KV Fatehabad	33KV Daryapur	12.000	33KV	Single	0.075Sq"	190	8/06
16	132KV Fatehabad	33KV Fatehabad	3.000	33KV	Single	0.075Sq"	300	7/06
17	132KV Fatehabad	33KV Badopal	22.000	33KV	Single	0.075Sq"	120	3/07
18	132KV Fatehabad	33KV Behbalpur	23.000	33KV	Single	0.075Sq"	210	4/06
19	132KV Fatehabad	33KV Bhuthan/Bhuna	21.000	33KV	Single	0.075Sq"	Load shifted on 132 KV S/Stn. Ahrawan & Uklana	
20	132KV Ahrawan	33KV Ayalki	6.000	33KV	Single	0.075Sq"	290	6/06
21	132KV Ahrawan	33KV Haroli/Gandha	32.000	33KV	Single	0.075Sq"	300	/06
22	132KV Ahrawan	33KV Dhani Raipur	8.500	33KV	Single	0.075Sq"	160	5/06
23	132KV Ahrawan	33KV Bhuthan	12.000	33KV	Single	0.075Sq"	260	6/06
24	132KV Ratia	33KV Baliyala/Mohmadkee	20.000	33KV	Single	0.075Sq"	180	7/06
25	132KV Ratia	33KV Teliwara	10.000	33KV	Single	0.075Sq"	270	6/06
26	132KV Ratia	33KV Mehmara	10.000	33KV	Single	0.075Sq"	150	8/06
27	132KV Ratia	33KV Ayalki	15.000	33KV	Single	0.075Sq"	Load shifted on 132 KV S/Stn. Ahrawan	

**OP Divn. Tohana**

28	132KV Uklana	33KV Bhuna/Nehla	34.500	33KV	Single	0.1Sq"	260	8/06
29	132KV Dharsul	33KV Lehran/ Degoh/ Bhuna	18.000	33KV	Single	0.075Sq"	280	1/07
30	132KV Dharsul	33KV Gulharwala	8.000	33KV	Single	0.075Sq"	290	6/06
31	132KV Dharsul	33KV Krandi	9.000	33KV	Single	0.075Sq"	170	8/06
32	132KV Tohana	33KV Jakhal/Sadanwas	22.000	33KV	Single	0.075Sq"	300	7/06
33	132KV Tohana	33KV Rainwali	12.000	33KV	Single	0.075Sq"	200	10/06
34	132KV Tohana	33KV Pirthala	25.000	33KV	Single	0.075Sq"	150	8/06

632.500

**(11) Detail of Division Wise 11KV line of Hisar Circle****Op Divn. (Hisar-I)**

Sr. No.	Name & voltage level of originating substation	Name of 11 KV feeder	Conductor		Max demand recorded during the year 2006-07 in Amp.
			Size	Length in KM	
<b>1</b>	<b>132KV Beer, Hisar</b>				
1		ITI	80mm2	6.200	160
2		Auto Market	3/8SWG	3.750	110
3		BSF	80mm2	41.280	200
4		Tele.Exchange	3/8SWG	6.200	280
5		Housing Board	3/8SWG	11.110	250
6		Aero Durm	3SWG	5.900	120
7		Talwandi Juglan	3/8SWG	31.500	150
8		Multani Chowk	3/8SWG	6.400	160
9		GJU	3SWG	0.500	30
10		Nagori Gate	3/8SWG	4.200	250
11		Sec-3	3/8SWG	2.500	60
<b>2</b>	<b>33 KV Rajgarh Road,Hisar</b>				
12		K/Road W/Works	80mm2	5.000	40
13		Defence Colony	80mm2	2.420	170
14		Subji Mandi	3SWG	5.000	110
15		Madhuban	3/8SWG	1.600	80
16		Old Compus	3SWG	11.000	55
17		Patel Nagar	100mm2	2.800	130
18		Gandhi Nagar	100mm2	2.600	90
19		Centrail Jail	6SWG	4.800	210
20		Mandi Road	3/8SWG	3.600	90
21		Azad Nagar	80mm2	5.920	140
22		AIR	6SWG	1.800	5
23		HAU-Essential	3SWG	1.000	80
<b>3</b>	<b>33KV Vidyut Nagar Hisar</b>				
24		Udyog Vihar	80mm2	1.365	150
25		Vidyut Nagar HSR	120mm2	Cable Conn.	20
26		Office Complex	100mm2	0.699	5
27		Modal Town	100mm2	6.044	265
28		Haryana Tube	80mm2	0.965	15
29		Haryana Oil Mill	80mm2	0.540	20
30		Vinod Oil Mill	100mm2	1.168	160
<b>4</b>	<b>33KV Jindal Metal,Hisar.</b>				
31		Indl Estate-I	50/80mm2	2.000	100
32		Indl Estate-II	80mm2	4.000	120
33		Hisar-Metal	185mm2	Cable Conn.	140
34		Amar Alloys	185mm2	Cable Conn.	150
35		I.T.I.	100mm2	10.000	65
36		HUDA-W/Works	80mm2	2.000	15
37		Quality Foil	80mm2	2.000	150

<b>5</b>	<b>33KV HTM, Hisar.</b>				
38		Jhajpul	3SWG	8.000	150
39		Shiv Nagar	3SWG	2.500	45
40		M.C.Colony W/W	3SWG	5.000	150
41		DCM	185mm2	Cable Conn.	240
<b>6</b>	<b>33KV Sec-13,Hisar.</b>				
42		Dabra Road	100mm2	2.935	90
43		HUDA-W/Works	80mm2	1.174	30
44		Sec-13,Hisar.	100mm2	4.980	210
45		Sec-16/17,Hisar.	100mm2	4.143	65
46		Jindal Hospital	80mm2	1.500	8
<b>7</b>	<b>220 KV I/A Hisar</b>				
47		Vinod Nagar	3/6/8 SWG	5.79	180
<b>8</b>	<b>33 KV Stud Farm</b>				
48		Stud Farm			40
<b>9</b>	<b>220 KV JSL Hisar</b>				
49		JSL Hisar			350

**(11) Detail of Division Wise 11KV line of Hisar Circle****OP Divn. (Hisar-II)**

Sr. No.	Name & voltage level of originating substation	Name of 11 KV feeder	Conductor		Max demand recorded during the year 2006-07 in Amp.
			Size	Length in KM	
<b>1</b>	<b>132KV Adampur</b>				
1		Mandi	3/6SWG	7.050	130
2		Modal Town	3/6SWG	6.080	150
3		Kohli	3/6SWG	19.000	85
4		Sadalpur	3/6/8SWG	33.800	150
5		Adampur	3/6SWG	4.220	120
6		Moda Khera	3/6SWG	96.220	330
7		Mehalsara	6/8SWG	70.200	160
<b>2</b>	<b>132KV PolySteel Hisar</b>				
8		Jindal Electro	3/6SWG	4.000	165
9		Satrod Khurd	3/6SWG	18.900	210
10		Bhanu	3/6SWG	16.200	140
<b>3</b>	<b>132KV Hisar-Cantt</b>				
11		Satrod Kalan	3/6SWG	5.000	185
12		Indl-II	3/6SWG	2.420	90
13		MES-I	185mm <sup>2</sup>	Cable Conn.	120
14		MES-II	185mm <sup>2</sup>	Cable Conn.	150
15		H.P.Cotton	6SWG	3.500	190
<b>4</b>	<b>33KV Bhatla</b>				
16		Ghirai	6SWG	18.000	80
<b>5</b>	<b>33KV R.Road,Hisar</b>				
17		Tulsi Vihar	6SWG	5.500	55
<b>6</b>	<b>220KV I.A.Hisar</b>				
18		Sec-27/28	3/6SWG	2.500	160
19		Tibba-Line	3/6SWG	3.441	220
20		New Tibba-Line	6/8SWG	3.540	120
<b>7</b>	<b>33KV Arya Nagar</b>				
21		Ludas	3/6SWG	33.100	240
22		Dhiranwas	3/6SWG	76.150	190
23		Chaudhariwas	6/8SWG	62.200	150
24		W/W Rawalwas	6SWG	7.500	10
<b>8</b>	<b>33KV Agroha</b>				
25		Agroha	3/6/8SWG	42.000	200
26		Nangthla	3/6/8SWG	82.000	180
27		Medical	185mm <sup>2</sup>	Cable Conn.	30



<b>9</b>	<b>33KV Barwala</b>				
28		Banbhori	3/6/8SWG	34.150	140
29		Mandi	6SWG	2.090	90
30		Pabra	3/6/8SWG	42.970	230
31		Barwala	6SWG	5.200	140
32		M.C.	6SWG	4.000	100
33		Panihari	3/6SWG	36.260	140
34		Gurana	3/6SWG	30.710	90
35		Hasangarh	3/6/8SWG	65.260	180
<b>10</b>	<b>33KV Bhiwani-Rohilla</b>				
36		Balsmand	3/6SWG	29.975	95
37		Dobhi	3/6SWG	52.615	80
38		Gorchhi	6SWG	20.200	155
<b>11</b>	<b>33KV Mangali</b>				
39		Mangali	3/6SWG	13.100	80
40		Kaimari	3/6SWG	12.700	150
41		Singhran	3/6SWG	34.000	80
<b>12</b>	<b>33KV Sarsod</b>				
42		Sarsod	3/6SWG	15.100	250
43		Rajli	3/6SWG	78.500	150
<b>13</b>	<b>33KV Siswal</b>				
44		Kabrail	6SWG	19.250	135
45		Siswal	6/8SWG	50.360	120
46		Mohbatpur	6/8SWG	46.160	95
47		Mingnikhera	3/6SWG	25.000	130
48		Salemgarh	6/8SWG	32.800	180
<b>14</b>	<b>33KV Sharwa</b>				
49		Sharwa	6/8SWG	25.600	150
50		Talwandi	6/8SWG	23.250	100
51		Jadia-Pipe	6SWG	4.500	100
<b>15</b>	<b>33KV Jindal Metal</b>				
52		Ladwa	3/6SWG	50.150	200

**(11) Detail of Division Wise 11KV line of Hisar Circle  
OP Divn. (Hansi)**

Sr. No.	Name & voltage level of originating substation	Name of 11 KV feeder	Conductor		Max demand recorded during the year 2006-07 in Amp.
			Size	Length in KM	
<b>1</b>	<b>132KV Hansi</b>				
1		Umra	3/6SWG	10.000	270
2		Jagga Bara	3/6SWG	12.000	115
3		Hisar-Road	3/6SWG	15.000	180
4		Jind-Road	3SWG	6.000	170
5		Hansi-Town	3SWG	10.000	210
6		Luxmi Pipe	6SWG	3.000	40
7		Powar-Grid	6SWG	8.000	20
8		Delhi-Gate	3SWG	5.000	150
9		W/Works	6SWG	2.000	20
10		Garhi	6/8SWG	30.000	280
11		High Way	3SWG	18.000	180
12		Barsi	6/8SWG	30.000	170
13		Jamalpur	3/6SWG	6.000	230
14		Arya Nagar	3SWG	5.000	65
<b>2</b>	<b>132KV Narnaund</b>				
15		Narnaund	3/6SWG	8.000	160
16		Khanda	3/6SWG	68.000	290
17		Petwar	6SWG	46.000	198
18		Madha	3/6SWG	13.000	84
19		Majra	6SWG	33.000	220
20		Mirchpur	6SWG	50.000	190
21		Kagsar	6SWG	23.000	120
22		Budana	3/6SWG	92.000	350
23		Moth	3/6SWG	54.000	260
24		Rajthal	3/6SWG	39.000	300
<b>3</b>	<b>33KV Koth</b>				
25		Koth	6/8SWG	11.000	100
<b>4</b>	<b>33KV Bhatla</b>				
26		Datta	6/8SWG	32.000	150
27		Bhatla	6/8SWG	24.000	140
28		Kullan	6/8SWG	35.000	280
29		Channot	6/8SWG	22.000	120
<b>5</b>	<b>33KV Mundhal</b>				
30		Singhwa	8SWG	28.000	120
31		Mundhal	8SWG	7.000	130
32		Bass	3SWG	98.000	300
33		Bhatol	3SWG	63.000	160
34		Sorkhi	3SWG	34.000	140
<b>6</b>	<b>33KV Sisai</b>				
35		Sisai	3/6SWG	36.000	130
36		Gagan Kheri	3/6SWG	56.000	160
37		Pali	3/6SWG	37.000	160
<b>7</b>	<b>33KV Barwala-Road Hansi</b>				
38		Dadal Park	3SWG	3.000	65
39		Collage Road	3SWG	1.000	170
<b>8</b>	<b>33KV Umra</b>				
40		Umra	3/6SWG	22.000	120
41		Jamalpur	3/6SWG	27.000	100
42		Dhandheri	3/6SWG	40.000	130

**(11) Detail of Division Wise 11KV line of Hisar Circle****OP Divn.(Fatehabad)**

Sr. No.	Name & voltage level of originating substation	Name of 11 KV feeder	Conductor		Max demand recorded during the year 2006-07 in Amp.
			Size	Length in KM	
<b>1</b>	<b>220KV Fatehabad</b>				
1		Bighar	3/6SWG	18.000	200
2		Barseen	3/6SWG	18.000	290
3		HUDA	3SWG	4.000	50
4		Dhani Bikaner	3/6SWG	16.000	280
5		Mini-Sectt.	3/6SWG	3.600	10
<b>2</b>	<b>132KV Fatehabad</b>				
6		Industrial	30/50mm2	10.000	300
7		Daulatpur	3/6/8SWG	26.000	200
8		Manawali	3/8SWG	22.000	180
9		Dhani Chhatrian	50mm2	56.000	300
10		Majra	3/6SWG	26.000	300
11		Dhani Ishar	3/6/8SWG	22.000	200
12		Kharati Khera	3/6SWG	10.000	150
13		Hazrawan	3/6/8SWG	28.000	250
14		Matana	3/8SWG	15.000	300
15		Roop Nagar	30/50mm2	34.000	240
16		Khan Mohmad	30/50mm2	80.000	290
<b>3</b>	<b>132KV Ratia</b>				
17		Mudh	3/6/8SWG	17.000	300
18		City-I	3/6/8SWG	33.000	340
19		City-II	3/6/8SWG	24.000	290
20		Kamana	6/8SWG	31.000	350
21		Hamjapur	3/6SWG	32.000	150
22		Lali	3/6/8SWG	11.000	320
23		M.P.Sottar	3/6/8SWG	21.000	300
24		Gurusar	3/6/8SWG	36.000	200
25		Rattangarh	80mm2	20.000	300
26		Bhundarwas	3/6/8SWG	13.000	300
27		Bharpur	3/6SWG	34.000	250
28		Ahrawan	3/6SWG	31.000	190
29		Nathwan	3/6SWG	10.000	220
30		Koulgarh	3/6SWG	9.000	200
31		Chando-Khurd	3/6SWG	23.000	90
<b>4</b>	<b>132KV Ahrawan</b>				
32		Ahrawan	3/6/8SWG	35.000	270
33		Sekhupur	80mm2	19.000	190
34		Ruriwali Dhani	3/6/8SWG	34.000	280
35		Raipur	3/6/8SWG	30.000	180
36		Palsar	3/6/8SWG	30.000	180
37		Phoolan	3/6/8SWG	31.000	300
38		Behl Bhomian	80mm2	17.000	200
<b>5</b>	<b>33KV Fatehabad</b>				
39		Boswal	30/50mm2	120.000	220
40		Bhattu-Road	30/50mm2	4.500	110
41		Hisar-Road	30/50mm2	7.000	190
42		Fatehabad	30/50mm2	6.500	180
43		City	30/50mm2	6.500	220
44		Model Town	30/50mm2	4.500	130

<b>6</b>	<b>33KV Bhuthan</b>				
45		Sottar	6/8SWG	16.000	230
46		Bhuthan	3/8SWG	16.000	290
47		Bhorrana-I	6/8SWG	19.000	280
48		Bhorrana-II	6/8SWG	16.000	280
49		Jhalnia	3SWG	9.000	80
50		Majra	3SWG	9.000	90
<b>7</b>	<b>33KV Badopal</b>				
51		Bhoda	6/8SWG	33.000	180
52		Dhangar	6/8SWG	30.000	210
53		Salam Khera	6/8SWG	26.000	140
54		Kumaria	6/8SWG	23.000	105
<b>8</b>	<b>33KV Bhattu</b>				
55		Dhingsara	3/6/8SWG	28.000	150
56		Kirdhan	3/6/8SWG	33.000	180
57		Ramsara	3/6/8SWG	102.000	190
58		Bhattu-Mandi	6/8SWG	5.000	200
<b>9</b>	<b>33KV Behbalpur</b>				
59		Bharolanwali	6/8SWG	11.000	300
60		Nakhatia	3/6/8SWG	21.000	180
61		Sottar-Bhattu	3/6/8SWG	15.000	160
62		Ratta-Tiba	3/6/8SWG	21.000	230
63		Theri	3/8SWG	12.000	270
64		Banawali	3/8SWG	19.000	220
65		Ahliadar	3/6SWG	10.000	210
66		Behbalpur	3/6SWG	14.000	300
<b>10</b>	<b>33KV Ayalki</b>				
67		Chan-Kothi	80mm2	21.000	220
68		Noorki	80mm2	21.000	240
69		Chan-Chak	80mm2	8.000	160
70		Ahrawan	80mm2	13.000	150
71		Jandwala	80mm2	16.000	290
72		Ayalki	80mm2	13.000	370
73		Sekhupur	80mm2	13.000	200
74		Katakheri	50mm2	13.000	230
<b>11</b>	<b>33KV Haroli</b>				
75		Hanspur	3/6/8SWG	21.000	180
76		Jallopur	3/6/8SWG	25.000	300
77		Ratta-Khera	3/6/8SWG	21.000	390
78		Phoolan	3/6/8SWG	24.000	180
<b>12</b>	<b>33KV Baliyala</b>				
79		Nangal	80mm2	29.000	250
80		Bora	80mm2	27.000	280
81		Pilchian	80mm2	35.000	280
82		Ladhuwas	80mm2	33.000	285
<b>13</b>	<b>33KV Teliwara</b>				
83		Lamba	3/6/8SWG	24.000	215
84		Nathuwan	3/6/8SWG	19.000	170
85		Ghaswa	3/6/8SWG	32.000	180
86		Kunal	3/6/8SWG	64.000	215
87		Chimo	3/6SWG	19.000	200
88		Babanpur	3/6/8SWG	31.000	250
89		Nanheri	3/6/8SWG	11.000	180
<b>14</b>	<b>33KV Mehmara</b>				
90		Badalgarh	3/6/8SWG	45.000	260
91		Mehmara	3/6/8SWG	21.000	200
92		Bara	3/6/8SWG	22.000	200
93		Koulgarh	3/6/8SWG	19.000	180
94		Police Choki	3/6SWG	7.000	185

<b>15</b>	<b>33KV Ajit Nagar/Ganda</b>				
95		Saharana	3/6/8SWG	12.000	160
96		Malwala	3/6/8SWG	21.000	240
97		Birabadi	3/6/8SWG	15.000	170
98		Alika	3/6/8SWG	26.000	230
<b>16</b>	<b>33KV Daryapur</b>				
99		Dhani Nanaksar	3/6/8SWG	12.000	220
100		Ahlisadar	3/6/8SWG	15.000	240
101		Daryapur	3/6/8SWG	16.000	160
102		Haripura	3/6/8SWG	10.000	180
103		Hazrawan Khurd	3/8SWG	23.000	220
<b>17</b>	<b>33KV Dhani Raipur</b>				
104		Chando	3/6SWG	17.000	100
105		Dhani Raipur	50mm <sup>2</sup>	23.000	120
106		Raipur	50mm <sup>2</sup>	12.000	115
107		Sukhlampur	50mm <sup>2</sup>	14.000	160
<b>18</b>	<b>33KV Ding</b>				
108		Gillan Khera	3/6/8SWG	28.000	170
<b>19</b>	<b>132KV Ding</b>				
109		Karnoli-I	3/6/8SWG	18.000	190
110		Karnoli-II	3/6/8SWG	26.000	200
<b>19</b>	<b>33 KV Mohmadkee</b>				
111		Mohmadkee	3/6 SWG	17	150
<b>20</b>	<b>33 KV Degoh</b>				
112		M.P.Sottar	3/6/8 SWG	32	220

**(11) Detail of Division Wise 11KV line of Hisar Circle  
OP Divn. (Tohana)**

Sr. No.	Name & voltage level of originating substation	Name of 11 KV feeder	Conductor		Max demand recorded during the year 2006-07 in Amp.
			Size	Length in KM	
<b>1</b>	<b>132KV Tohana</b>				
1		City-II	3/6SWG	10.000	200
2		Narwana-Road	3/6SWG	19.000	140
3		Nanheri	3/6SWG	28.500	300
4		Samain	3/6SWG	27.600	230
5		Puran Majra	3/6/8SWG	27.100	270
6		City-I	3SWG	7.000	150
7		City-III	3SWG	6.000	180
8		Baliyala	3/6SWG	18.020	240
9		Nucham	3SWG	0.500	60
10		Nangla	3/6/8SWG	49.700	300
11		City-IV	3/6SWG	9.000	150
12		Jamalpur	3/6SWG	56.000	300
13		Loha-Khera	3/6SWG	14.000	100
14		Kanheri	3/6SWG	20.200	200
<b>2</b>	<b>132KV Dharsul</b>				
15		Ratta	3/6SWG	16.000	170
16		Kullan	3/6SWG	23.000	300
17		Dharsul	3/6SWG	11.000	140
18		Manghera	3/6SWG	15.000	190
19		Diwana	3/6SWG	16.000	300
20		Nanheri	3/6SWG	22.000	180
21		Pokhari	3/6SWG	19.000	200
22		Karandi	3/6SWG	8.000	280
23		Zabta-Khera	3/6SWG	14.000	190
24		Industrial	3/6SWG	3.000	80
<b>3</b>	<b>132KV Uklana</b>				
25		City	3/6SWG	9.000	200
26		Saniana	3/6SWG	15.000	290
27		Surewala	3/6SWG	22.000	190
28		Daulatpur	3/6SWG	30.000	140
29		Madanpura	3/6SWG	28.000	150
30		Sahu	3/6SWG	35.000	140
<b>4</b>	<b>33KV Gulharwala</b>				
31		Akanwali	3/6SWG	17.000	290
32		Gulharwala	3/6SWG	19.000	320
33		Sakarpura	3/6SWG	28.000	310
34		Salimpuri	3/6SWG	13.000	180
35		Nanaksar	3/6SWG	25.000	260
<b>5</b>	<b>33KV Rainwali</b>				
36		Budanpur	3/6SWG	41.000	330
37		Rainwali	3/6SWG	21.000	170
38		Nathuwal	3/6/8SWG	41.000	270
39		Kasimpur	3/6/8SWG	40.000	360
40		MITC	3/6SWG	36.000	240
<b>6</b>	<b>33KV Jakhal</b>				
41		Sidhani	3/6SWG	32.000	200
42		Railway	3/6SWG	4.500	10
43		Meond	3/6/8SWG	61.000	250
44		Sadanwas	3/6/8SWG	41.000	195
45		Jakhal	3/6/8SWG	19.000	180
46		Churpur	3/6/8SWG	42.000	240
47		Narail	3/6 SWG	15.000	150
<b>7</b>	<b>33KV Pirthla</b>				
48		Fatehpuri	3/6/8SWG	24.000	250
49		Pirthla	3/6/8SWG	40.000	180
50		Indachhoi	3/6SWG	32.000	210
<b>8</b>	<b>33KV Degoh</b>				
51		Degoh	3/6SWG	21.000	240
52		Dholu	3/6SWG	23.000	270
53		Ghotru	3/6SWG	19.000	230

<b>9</b>	<b>33KV Lehrian</b>				
54		Bhundra	3/6SWG	21.000	190
55		Rasulpur	3/6SWG	19.000	130
56		Tibbi	3/6SWG	23.000	120
57		Lehrian	3/6SWG	26.000	200
<b>10</b>	<b>33KV Bhuna</b>				
58		Bawan	3/6/8SWG	57.000	250
59		Kherry	3/6SWG	42.000	180
60		Jandli	3/6SWG	36.000	90
61		Nadhori	3/6/8SWG	50.000	240
62		Bhuna	3/6SWG	19.000	200
63		Sugar Mill	3/6SWG	12.000	30
<b>11</b>	<b>33KV Nehla</b>				
64		Gorkhpur	3/6SWG	25.000	190
65		Nehla	3/6SWG	8.000	140
<b>12</b>	<b>33KV Sadanwas</b>				
66		Sadanwas	3/6SWG	35.000	250
67		Mundlian	3/6SWG	34.000	250
68		Sidhani	3/6SWG	31.000	260
69		Tibba	3/6SWG	21.000	200
70		Chandpura	3/6SWG	11.000	200
<b>13</b>	<b>33KV Karandi</b>				
71		Karandi	3/6SWG	9.000	300
72		Ratta	3/6SWG	12.000	190
73		Moosakhera	3/6SWG	19.000	250
74		Badanpur-Dhani	3/6SWG	8.000	80
<b>14</b>	<b>33 KV Bhuthan</b>				
75		Khera	3/6SWG	22.000	190
76		Hassanga-I	3/6SWG	20.000	280
<b>15</b>	<b>33 KV Dhani-Raipur</b>				
77		Hassanga-II	50mm2	12.000	100

## 12) Division wise 33KV S/Stn detail (Capacity & Max. load)

S.No.	Name of Division / S/Stn	Capacity of transformer in MVA	Voltage ratio in KV	Maximum load recorded	
<b>I)</b>	<b>OP, DIVN NO. I, HISAR</b>				
1	33 KV Rajgarh Road, Hisar	1x6.3/8MVA	33/11KV	400	7.62
		1x6.3MVA	33/11KV	300	5.71
		1x6.3MVA	33/11KV	300	5.71
2	33KV Vidyut Nagar Hisar	1x6.3/8MVA	33/11KV	388	7.39
		1x4MVA	33/11KV	160	3.05
3	33KV Jindal Metal, Hisar.	1x6.3/8MVA	33/11KV	305	5.81
		1x5MVA	33/11KV	210	4.00
		1x4MVA	33/11KV	140	2.67
4	33KV HTM, Hisar.	1x6.3MVA	33/11KV	295	5.62
		1x4MVA	33/11KV	180	3.43
		1x4MVA	33/11KV	180	3.43
5	33KV Sec-13, Hisar.	1x6.3/8MVA	33/11KV	330	6.29
<b>II)</b>	<b>OP, DIVN NO. II, HISAR</b>				
1	33KV Barwala	1x6.3/8MVA	33/11KV	420	8.00
		1x6.3/8MVA	33/11KV	410	7.81
2	33KV Arya nagar	1x6.3/8MVA	33/11KV	360	6.86
		1x4MVA	33/11KV	180	3.43
3	33KV Siswal	1x5MVA	33/11KV	250	4.76
		1x4MVA	33/11KV	200	3.81
4	33KV Agroha	1x6.3MVA	33/11KV	330	6.29
5	33KV Sharwa	1x4MVA	33/11KV	210	4.00
		1x4MVA	33/11KV	100	1.90
6	33KV Bhiwani Rohillan	1x6.3MVA	33/11KV	282	5.37
7	33KV Mangali	1x6.3/8MVA	33/11KV	275	5.24
8	33KV Sarsod	1x6.3/8MVA	33/11KV	360	6.86
<b>III)</b>	<b>OP, DIVN. HANSI</b>				
1	33KV Mundhal	1x6.3/8MVA	33/11KV	400	7.62
		1x4MVA	33/11KV	220	4.19
2	33KV Koth Kalan	1x5MVA	33/11KV	210	4.00
3	33KV Bhatla	1x6.3/8MVA	33/11KV	330	6.29
		1x4MVA	33/11KV	205	3.90
4	33KV Sisai	1x6.3/8MVA	33/11KV	400	7.62
5	33KV Barwala- Road Hansi	1x6.3/8MVA	33/11KV	190	3.62
6	33KV Umra	1x6.3/8MVA	33/11KV	330	6.29
<b>IV)</b>	<b>OP, DIVN. FATEHABAD</b>				
1	33KV Ayalki	1x6.3/8MVA	33/11KV	400	7.62
		1x6.3MVA	33/11KV	300	5.71
2	33KV Fatehabad	1x6.3/8MVA	33/11KV	335	6.38
		1x6.3MVA	33/11KV	340	6.48
		1x6.3MVA	33/11KV	323	6.15
3	33KV Baliyala	1x6.3/8MVA	33/11KV	380	7.24
		1x5MVA	33/11KV	250	4.76
4	33KV Bhuthan	1x10/12.5MVA	33/11KV	400	7.62
		1x6.3/8MVA	33/11KV	400	7.62



5	33KV Behbalpur	1x6.3/8MVA	33/11KV	380	7.24
		1x6.3MVA	33/11KV	300	5.71
6	33KV Haroli	1x6.3/8MVA	33/11KV	380	7.24
		1x4MVA	33/11KV	185	3.52
7	33KV Teliwara	1x6.3/8MVA	33/11KV	360	6.86
		1x6.3MVA	33/11KV	250	4.76
		1x5MVA	33/11KV	200	3.81
8	33KV Bhattu	1x6.3/8MVA	33/11KV	400	7.62
		1x4MVA	33/11KV	180	3.43
9	33KV Badopal	1x4MVA	33/11KV	210	4.00
		1x4MVA	33/11KV	210	4.00
10	33KV Mehmarra	1x6.3MVA	33/11KV	330	6.29
		1x5MVA	33/11KV	250	4.76
11	33KV Ajit Nagar/Ganda	1x5MVA	33/11KV	240	4.57
		1x5MVA	33/11KV	240	4.57
12	33KV Daryapur	1x6.3/8MVA	33/11KV	390	7.43
		1x5MVA	33/11KV	220	4.19
13	33KV Dhani Raipur	1x6.3/8MVA	33/11KV	335	6.38
		1x4MVA	33/11KV	100	1.90
14	33KV Mohmad Kee	1x5MVA	33/11KV	150	2.86
<b>V)</b>	<b>OP, DIVN. TOHANA</b>				
1	33KV Jakhal	1x6.3/8MVA	33/11KV	330	6.29
		1x5MVA	33/11KV	260	4.95
		1x4MVA	33/11KV	210	4.00
2	33KV Rainwali	1x6.3/8MVA	33/11KV	360	6.86
		1x6.3MVA	33/11KV	330	6.29
3	33KV Gulharwala	1x6.3MVA	33/11KV	325	6.19
		1x6.3MVA	33/11KV	320	6.10
4	33KV Bhuna	1x6.3MVA	33/11KV	320	6.10
		1x5MVA	33/11KV	270	5.14
5	33KV Lehrian	1x5MVA	33/11KV	230	4.38
		1x5MVA	33/11KV	200	3.81
6	33KV Degoh	1x6.3/8MVA	33/11KV	280	5.33
		1x6.3/8MVA	33/11KV	360	6.86
7	33KV Sadanwas	1x5MVA	33/11KV	260	4.95
		1x5MVA	33/11KV	265	5.05
8	33KV Nehla	1x4MVA	33/11KV	200	3.81
9	33KV Pirthla	1x6.3MVA	33/11KV	330	6.29
		1x4MVA	33/11KV	180	3.43
10	33KV Karandi	1x6.3/8MVA	33/11KV	365	6.95

Total

43

### 13) Detail of 11 KV Capacitors-Installed under OP Circle Hisar

Sr. No.	Name of S/Stn.	Voltage rating of capacitor	Capacity at rated voltage in MVAR	Make	No. of units forming the Capacitor	Capacity of each unit in KVAR	No. of units as on 31.03.07	
							Healthy	Defective
<b>OP Divn. No. I Hisar</b>								
1	33 KV Rajgarh Road, Hisar	11KV	2.502	Toshiba	6	417	6	0
		"	1.200	Mohan Elec.	12	100	9	3
2	33KV V.N. Hisar	"	1.800	BHEL	12	150	12	0
		"	1.800	Shreem	12	150	12	0
3	33KV HTM, Hisar.	"	1.800	Shreem	12	150	12	0
4	33KV Sec-13,Hisar.	"	3.000	GOV	15	200	15	0
<b>OP Divn. No. II Hisar</b>								
1	33KV Barwala	"	1.200	BHEL	24	50	24	0
		"	0.600	Kha. Junker	12	50	12	0
2	33KV Arya nagar	"	1.800	Shreem	12	150	12	0
3	33KV Siswal	"	0.600	Mohan Elec.	12	50	12	0
4	33KV Agroha	"	1.800	Shreem	12	150	12	0
5	33KV Sharwa	"	1.800	Biecco	12	150	0	12
6	33KV Bhiwani Rohilla	"	1.800	Shreem	12	150	12	0
7	33KV Mangali	"	3.000	GOV	15	200	15	0
8	33KV Sarsod	"	2.700	Shreem	18	150	18	0
<b>OP Divn. Hansi</b>								
1	33KV Mundhal	"	1.200	Mohan Elec.	12	100	12	0
2	33KV Koth Kalan	"	1.800	Shreem	12	150	12	0
3	33KV Bhatla	"	3.000	Shreem	15	200	15	0
		"	1.800	Shreem	12	150	12	0
4	33KV Sisai	"	3.000	Crompton	15	200	15	0
5	33KV Bwl- Road Hansi	"	3.000	GOV	15	200	15	0
6	33KV Umra	"	3.000	GOV	15	200	15	0
<b>OP Divn. Fatehabad</b>								
1	33KV Ayalki	"	1.200	Mohan Elec.	12	100	9	3
		"	1.800	Shreem	12	150	3	9
2	33kv Fatehabad	"	2.502	Toshiba	6	417	0	6
		"	1.500	BHEL	12	125	0	12
3	33KV Baliyala	"	1.200	Mohan Elec.	12	100	12	0
		"	1.800	Shreem	12	150	12	0
4	33KV Bhuthan	"	1.200	Kha. Junker	24	50	24	0
		"	1.050	Kha. Junker	21	50	21	0
5	33KV Behbalpur	"	1.200	Kha. Junker	24	50	21	3
		"	3.000	Shreem	15	200	12	3
6	33KV Haroli	"	1.200	Kha. Junker	24	50	24	0
		"	1.800	Kha. Junker	12	150	12	0
		"	1.200	Mohan Elec.	24	50	0	24
7	33KV Teliwara	"	1.200	Mohan Elec.	12	100	12	0
		"	1.800	Shreem	12	150	12	0
8	33KV Bhattu	"	1.200	Mohan Elec.	12	100	12	0
		"	1.800	Shreem	12	150	12	0
9	33KV Badopal	"	3.600	Shreem	24	150	24	0
10	33KV Mehmara	"	3.000	Shreem	15	200	15	0
11	33KV Ajit Nagar/Ganda	"	1.800	Shreem	12	150	12	0
12	33KV Dhani-Rajpur	"	3.000	Power-Cap.	15	200	15	0
<b>OP Divn. Tohana</b>								
1	33KV Jakhai	"	1.200	Shreem	24	50	24	0
		"	1.800	Shreem	12	150	12	0
2	33KV Rainwali	"	1.800	Shreem	12	150	12	0
		"	1.200	Mohan Elec.	12	100	12	0
3	33KV Gulharwala	"	1.200	Mohan Elec.	12	100	12	0
		"	1.800	Shreem	12	150	12	0
4	33KV Bhuna	"	1.200	Shreem	12	100	12	0
		"	1.800	Shreem	12	150	12	0
5	33KV Lehrian	"	0.756	BHEL	9	84	0	9
6	33KV Degoh	"	1.800	Shreem	12	150	12	0
		"	1.200	Shreem	12	100	12	0
7	33KV Sadanwas	"	1.800	Shreem	12	150	12	0
8	33KV Karandi	"	2.700	Shreem	18	150	18	0
9	33KV Nehla	"	1.800	Shreem	12	150	12	0
10	33KV Pirthla	"	1.800	Shreem	12	150	12	0
		"	1.200	Shreem	12	100	12	0
<b>Total</b>			<b>107.310</b>					
<b>Note:- Capacitor not yet installed at below noted 33 kv S/Stns:-</b>								
(1)Jindal Metal,Hisar (2) Daryapur (3)Mohmadkee								
Total 40								

**IDEA MOBILE NUMBERS IN RESPECT OF DGM/OP, DHBVN, TOHANA**

Name of Officer	Office with which attached	Mobile No.
Sh. Bhim Sain	SDO/OP Tohana	9812452703
	SDO/OP Tohana	9812452704
Omkar Singh JE/F	SDO/OP Tohana	9812452705
Randhir Singh AFM	SDO/OP Tohana	9812452706
	SDO/OP Tohana	9812452707
R.S. Sabherwal SDO	SDO/OP Tohana	9812452708
Batwan Singh JE-I/F	SDO/OP Tohana	9812452709
Gopal Singh JE/F	SDO/OP Tohana	9812452710
Jai Singh JE/F	SDO/OP Tohana	9812452711
Sahib Singh AFM	SDO/OP Tohana	9812452712
Shamsher Singh, SDO	SDO/OP Uklana	9812452713
Jagdish AFM	SDO/OP Uklana	9812452714
Chander Parkesh JE/F	SDO/OP Uklana	9812452715
Bharat Singh JE-I/F	SDO/OP Uklana	9812452716
Om Parkesh AFM	SDO/OP Uklana	9812452717
Krishan Kumar AFM	SDO/OP Uklana	9812452718
P.D. Sharma, SDO	SDO/OP Bhuna	9812452719
Nihal Singh JE/F	SDO/OP Bhuna	9812452720
Dharam Pal JE/F	SDO/OP Bhuna	9812452721
Dharamvir AFM	SDO/OP Bhuna	9812452722
Balbir Singh AFM	SDO/OP Bhuna	9812452723
P.S. Sodhi, SDO	SDO/OP Jakhhal	9812452724
	SDO/OP Jakhhal	9812452725
Bhajan Singh JE-I/F	SDO/OP Jakhhal	9812452726
Hanuman AFM	SDO/OP Jakhhal	9812452727